

Note: Imagery for illustrative purposes only. Product images shown in suggested system diagrams are not to scale

Typical Basic SeaTalk^{ng} System:

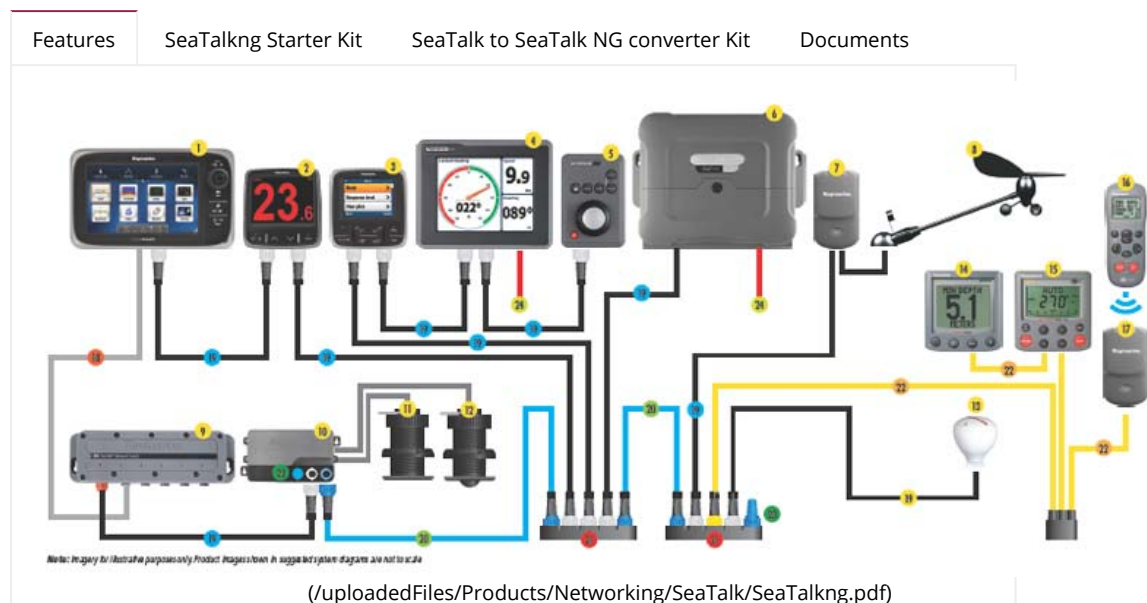
1. New e Series
2. i70 Instrument
3. p70/p70R Autopilot
4. ST70 Plus Instrument
5. ST70 Plus Autopilot Keypad
6. SPX Course Computer
7. Pod
8. Wind Transducer
9. Network Switch
10. iTC-5
11. Speed Transducer
12. Depth Transducer
13. RS130 GPS Sensor
14. ST60+ Instrument
15. ST6002 Autopilot
16. SmartController
17. Pod
18. RayNet Cable
19. SeaTalk^{ng} Spur
20. SeaTalk^{ng} Backbone
21. 5-Way SeaTalk^{ng} Connector
22. SeaTalk
23. Terminator
24. Power Supply

Raymarine SeaTalk^{ng} Forbindelser

Databus til forbindelse mellem Raymarine Produkter

SeaTalk^{ng} er en databus forbindelse mellem Raymarine produkter. Kabler med en lille diameter og små stik bruges igennem hele systemet for at gøre installering nemmere.

Der er et stort udvalg a kabellængder, alle med støbte stik så der er ikke brug for at klipper eller samle kabler. Spur kablerne forbinder de individuelle SeaTalk^{ng} produkter til SeaTalk^{ng} backbone.



Klik her for at se ovenstående diagram mere detaljeret (</uploadedFiles/Products/Networking/SeaTalk/SeaTalkng.pdf>)

Hvad enten du er på udkig efter at udvide dit SeaTalk^{ng} system, opdatere din elektronik eller et komplet refit, så kunne det ikke være nemmere end med SeaTalk^{ng}.

Farve kodet kabler

Kabler og stik er farve kodet så de er nemmere at identificere og lavet med quick-connect (push-fit, twist-lock) vandtætte (IPx6) han- og hunstik.

- Backbone kabler, stik og sokler og terminatorer er kodet med blå.
- Spur kabler, stik og sokler er kodet med hvid.
- SeaTalk til SeaTalk^{ng} konverter kabler, stik og sokler er kodet med gul.
- SeaTalk^{ng} power kabler er kodet med rød.

View the cables and components in more detail (</view/?id=1614>)



Connectivity

Transducer signals are easily converted to SeaTalk^{ng} with the iTC-5 component.

Discover more about the iTC-5 (</view/?id=3338>)

Converting Sea Talk¹ to SeaTalk^{ng}

Specific Raymarine products (e.g. ST70 instruments) perform a bridging function, to enable you to connect SeaTalk^{ng} to SeaTalk¹ products via appropriate adaptor cables.

Discover more about the SeaTalkng to SeaTalk1 converter kit (</WorkArea/linkit.aspx?LinkIdentifier=id&ItemID=1597&libID=1612>)

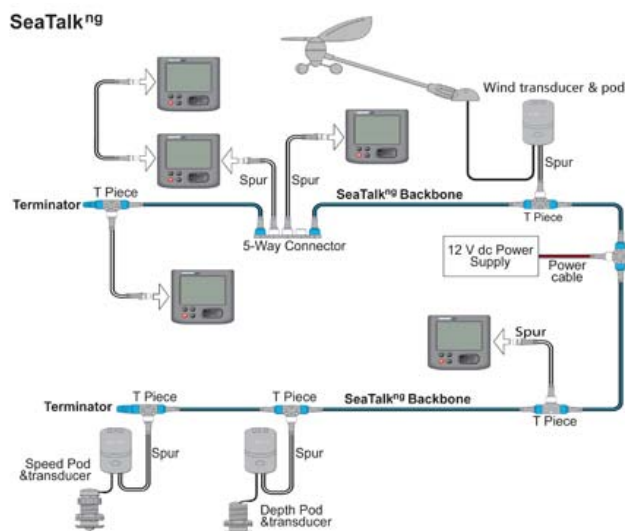
Adaptor cables are also available to connect NMEA2000 products.



Hardware

SeaTalk^{ng} comprises a single backbone terminated with two terminators, one at each end. Spur cables connect the backbone to individual SeaTalk^{ng} products.

Small diameter cable connectors are used throughout the system to make installations easier. Cables and connectors are colour-coded to reduce the likelihood of misconnection.



The SeaTalk^{ng} Backbone kit contains everything you need to construct and wire a basic SeaTalk^{ng} navigation network backbone on board your vessel. The kit contains the following components:

- A06031 SeaTalk^{ng} Terminators (Qty. 2)
- A06037 Backbone Cable, 20m
- A06036 Backbone Cable, 5m (Qty. 2)
- A06028 T-Piece (Qty. 4)
- A06049 Network Power Cable
- 81300 SeaTalk^{ng} Reference Manual

Note: ST70 Displays, transducer pods, transducers and network spurs are not included.

DRAGONFLY® (/view/?id=11198)	FISKE EKKOLODS MODULER (/view/?id=478)	VHF-RADIO (/view/?id=221)	OM RAYMARINE (/view/?id=1103)
Dragonfly 4, 5 og NYE 7PRO (/view/?id=11200) Første generation Dragonfly 6 og 7 (/view/?id=6854)	Wi-FISH Ekkolod med DownVision™ (/view/?id=11201) CP100 CHIRP DownVision™ (/view/?id=8069) CP200 CHIRP SideVision™ (/view/?id=10308) NYE CP370 Digital Ekkolods Moduler (/view/?id=11578) NYE CP470 CHIRP Ekkolods (/view/?id=11655) NYE CP570 CHIRP Ekkolods (/view/?id=11674) Ekkolods Transducer (/view/?id=1573)	Ray50 VHF-Radio (/view/?id=10727) Ray60 VHF-Radio (/view/?id=10805) Ray49 VHF-Radio (/view/?id=10661) Ray218 VHF-Radio (/view/?id=10703) RayMic (/view/?id=10840)	Nye Ray52 med GPS (/view/?id=17007) Ray70 VHF-Radio (/view/?id=10809) Ray55 VHF-Radio (/view/?id=10690) Ray260 VHF-Radio (/view/?id=6992)
MULTIFUKTIONS DISPLAY (/view/?id=397)	INSTRUMENT (/view/?id=214)	SATELLIT TV ANTENNE SYSTEMER (/view/?id=179)	KØBE (/view/?id=1103)
Axiom NYT Axiom Pro displays/axiom-pro/ aSerie NYT eS Serie (/view/?id=4954) gS Serie LightHouse II (/view/?id=6862) LightHouse 3cSerie (/view/?id=8027) eSerie Elektroniske Kort (/view/?id=2966) ALS (/view/?id=3126) Motor Nye - Marine Interface Weather (/view/?id=8507) Netværks Extern GPS (/view/?id=3011) Ekkolods RCU-3 Rat Transducer Fjernbetjening (/view/?id=1573) RMK-9 NYE - RMK-Fjernbetjening0 (/view/?id=10257)	i40 i50 Fart og Kompakte Dybde (/view/?id=4870) i60 Vind i70 Multifunktion (/view/?id=5127) NYE i70s Multifunktion (/view/?id=17721) Raymarine Trådløse Serie (/view/?id=1237) Instrument Tilbehør (/view/?id=214#accessories)	33STV 37STV (/view/?id=179) 45STV 60STV (/view/?id=179) 50STV 60STV (/view/?id=179) SOFTWARE (/view/?id=3193) Mobile Apps (/view/?id=2121) Voyage Planner (/view/?id=3218) RayTech Navigation (/view/?id=510)	Historie (/view/?id=1125) Video Galleri (/view/?id=2679) Kontor Lokationer (/view/?id=633) Karriere (/view/?id=1245) Fiind Forhandler (/view/?id=911) Pro Ambassadors (/view/?id=3877) Kontakt Os (/view/?id=1154)
AUTOPILOTER (/view/?id=581)	KAMERAS (TERMISK OG DAGSLYS)	PARTNER RESOURCES (http://dealer.raymarine.com/Login)	
Evolution Autopiloten (/view/?id=8239) Driv Enheder (/view/?id=579) Kontrolenheder (/view/?id=766)	FLIR Ocean Scout NYE FLIR AX8 (/view/?id=7005) FLIR Ocean Scout NYE FLIR AX8 (/view/?id=67126) T200 Serie (Termisk) (/view/?id=9828) T300 og T400 Serie (Termisk) (/view/?id=9860) CAM50 Analog (Dagslys) (/view/?id=9739) CAM100 Analog (Dagslys) (/view/?id=9714)	Partner Portal (http://dealer.raymarine.com/Login) Media Resources (/view/?id=5993)	Fiind Forhandler (/view/?id=911) Online Store (https://www.raymarinestore.eu/) LightHouse Chart Store (https://charts.raymarine.com/) Download en Brochure og Prisliste (/view/?id=895)
			SERVICE OG SUPPORT (/view/?id=773) Manualer (/view/?id=10125) Produkt Registrering (/view/?id=788) FAQ (/knowledgebase/) Software opdateringer (/view/?id=797) Reparation og garanti (/view/?id=779)
			KONTAKT OS

Trådløs
Fjernbetjeningsenhed
(/view/?id=848)

CAM200IP (Dagslys)
(/view/?id=10289)
CAM210IP (Dagslys)
(/view/?id=16376)
CAM220IP (Dagslys)
(/view/?id=16388)

RADAR (/view/?
id=243)

NYE Quantum fra FLIR
(/content/?id=13531)
Lukket Radar (/view/?
id=313)
Åben Radar (/view/?
id=168)

(<http://www.flir.com>)

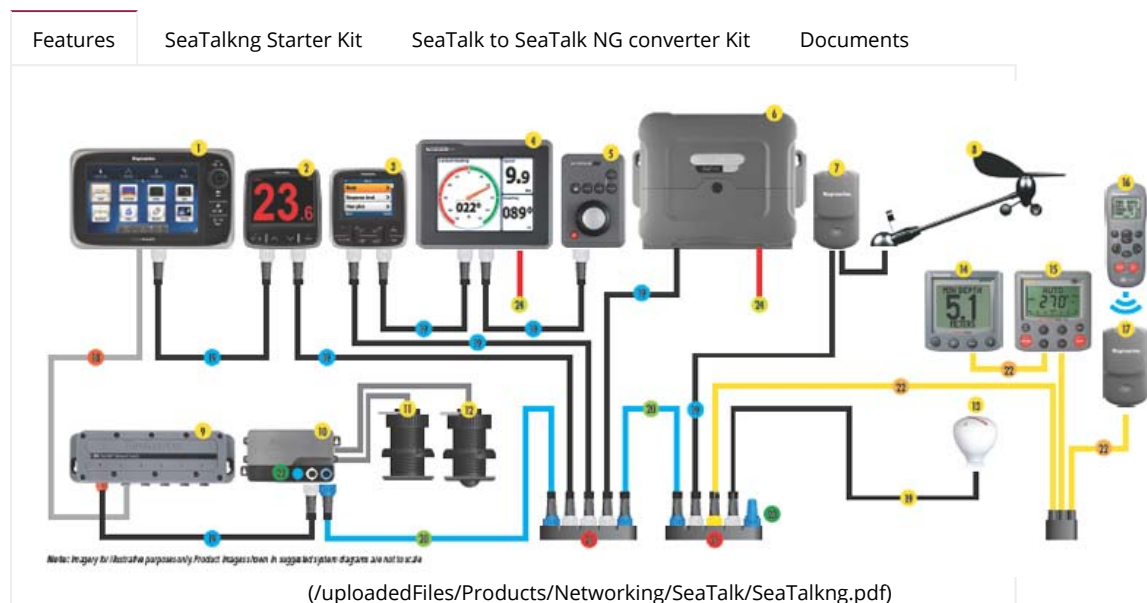
2017 © FLIR Systems All rights reserved. Privacy Policy (<http://www.flir.com/corporate/en/?id=16274>) | Copyright Policy (<http://www.flir.com/corporate/en/?id=16276>) | Terms of Use (<http://www.flir.com/corporate/en/?id=16272>)

Raymarine SeaTalk^{ng} Forbindelser

Databus til forbindelse mellem Raymarine Produkter

SeaTalk^{ng} er en databus forbindelse mellem Raymarine produkter. Kabler med en lille diameter og små stik bruges igennem hele systemet for at gøre installering nemmere.

Der er et stort udvalg a kabellængder, alle med støbte stik så der er ikke brug for at klipper eller samle kabler. Spur kablerne forbinder de individuelle SeaTalk^{ng} produkter til SeaTalk^{ng} backbone.



Klik her for at se ovenstående diagram mere detaljeret (</uploadedFiles/Products/Networking/SeaTalk/SeaTalkng.pdf>)

Hvad enten du er på udkig efter at udvide dit SeaTalk^{ng} system, opdatere din elektronik eller et komplet refit, så kunne det ikke være nemmere end med SeaTalk^{ng}.

Farve kodet kabler

Kabler og stik er farve kodet så de er nemmere at identificere og lavet med quick-connect (push-fit, twist-lock) vandtætte (IPx6) han- og hunstik.

- Backbone kabler, stik og sokler og terminatorer er kodet med blå.
- Spur kabler, stik og sokler er kodet med hvid.
- SeaTalk til SeaTalk^{ng} konverter kabler, stik og sokler er kodet med gul.
- SeaTalk^{ng} power kabler er kodet med rød.

View the cables and components in more detail (</view/?id=1614>)



Connectivity

Transducer signals are easily converted to SeaTalk^{ng} with the iTC-5 component.

Discover more about the iTC-5 (</view/?id=3338>)

Converting Sea Talk¹ to SeaTalk^{ng}

Specific Raymarine products (e.g. ST70 instruments) perform a bridging function, to enable you to connect SeaTalk^{ng} to SeaTalk¹ products via appropriate adaptor cables.

Discover more about the SeaTalkng to SeaTalk1 converter kit (</WorkArea/linkit.aspx?LinkIdentifier=id&ItemID=1597&libID=1612>)

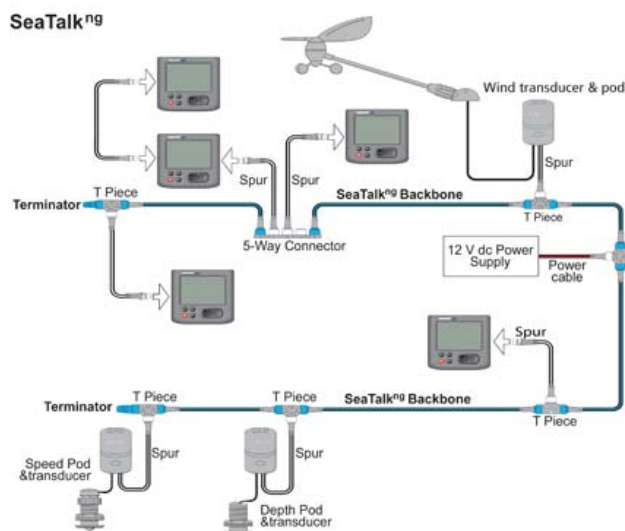
Adaptor cables are also available to connect NMEA2000 products.



Hardware

SeaTalk^{ng} comprises a single backbone terminated with two terminators, one at each end. Spur cables connect the backbone to individual SeaTalk^{ng} products.

Small diameter cable connectors are used throughout the system to make installations easier. Cables and connectors are colour-coded to reduce the likelihood of misconnection.



The SeaTalk^{ng} Backbone kit contains everything you need to construct and wire a basic SeaTalk^{ng} navigation network backbone on board your vessel. The kit contains the following components:

- A06031 SeaTalk^{ng} Terminators (Qty. 2)
- A06037 Backbone Cable, 20m
- A06036 Backbone Cable, 5m (Qty. 2)
- A06028 T-Piece (Qty. 4)
- A06049 Network Power Cable
- 81300 SeaTalk^{ng} Reference Manual

Note: ST70 Displays, transducer pods, transducers and network spurs are not included.

DRAGONFLY® (/view/?id=11198)	FISKE EKKOLODS MODULER (/view/?id=478)	VHF-RADIO (/view/?id=221)	OM RAYMARINE (/view/?id=1103)
Dragonfly 4, 5 og NYE 7PRO (/view/?id=11200) Første generation Dragonfly 6 og 7 (/view/?id=6854)	Wi-FISH Ekkolod med DownVision™ (/view/?id=11201) CP100 CHIRP DownVision™ (/view/?id=8069) CP200 CHIRP SideVision™ (/view/?id=10308) NYE CP370 Digital Ekkolods Moduler (/view/?id=11578) NYE CP470 CHIRP Ekkolods (/view/?id=11655) NYE CP570 CHIRP Ekkolods (/view/?id=11674) Ekkolods Transducer (/view/?id=1573)	Ray50 VHF-Radio (/view/?id=10727) Ray60 VHF-Radio (/view/?id=10805) Ray49 VHF-Radio (/view/?id=10661) Ray218 VHF-Radio (/view/?id=10703) RayMic (/view/?id=10840)	Nye Ray52 med GPS (/view/?id=17007) Ray70 VHF-Radio (/view/?id=10809) Ray55 VHF-Radio (/view/?id=10690) Ray260 VHF-Radio (/view/?id=6992)
MULTIFUKTIONS DISPLAY (/view/?id=397)	INSTRUMENT (/view/?id=214)	SATELLIT TV ANTENNE SYSTEMER (/view/?id=179)	KØBE (/view/?id=1103)
Axiom NYT Axiom (/multifunktionsdisplays/axiom-pro/) aSerie NYT eS Serie (/view/?id=4954) gS Serie LightHouse II (/view/?id=6862) LightHouse 3cSerie (/multifunktionsdisplays/lighthouse-3c) eSerie Elektroniske Kort (/view/?id=2966) ALS (/view/?id=3126) Switching (/view/?id=6863) Motor Nye - Marine Interface Weather (/view/?id=8507) Netværks Extern GPS (/view/?id=3011) Ekkolods RCU-3 Rat Transducer Fjernbetjening (/view/?id=1573) RMK-9 NYE - RMK-Fjernbetjening0 (/view/?id=10257)	i40 i50 Fart og Kompakte Dybde (/view/?id=4870) i60 Vind i70 Multifunktion (/view/?id=5127) NYE i70s Multifunktion (/view/?id=17721) Raymarine Trådløse Serie (/view/?id=1237) Instrument Tilbehør (/view/?id=214#accessories)	33STV 37STV (/view/?id=179) 45STV 60STV (/view/?id=179) 33STV 37STV (/view/?id=179) 45STV 60STV (/view/?id=179)	Historie (/view/?id=1125) Video Galleri (/view/?id=2679) Kontor Lokationer (/view/?id=633) Karriere (/view/?id=1245) Fiind Forhandler (/view/?id=911) Pro Ambassadors (/view/?id=3877) Kontakt Os (/view/?id=1154)
AUTOPILOTER (/view/?id=581)	KAMERAS (TERMISK OG DAGSLYS)	SOFTWARE (/view/?id=3193)	SERVICE OG SUPPORT (/view/?id=773)
Evolution Autopiloten (/view/?id=8239) Driv Enheder (/view/?id=579) Kontrolenheder (/view/?id=766)	FLIR Ocean NYE FLIR AX8 Scout (/http://www.flir.eu/marine/content/?id=73729) FLIR Ocean NYE FLIR AX8 Scout (/http://www.flir.eu/marine/content/?id=73729) T200 Serie (Termisk) (/view/?id=9828) T300 og T400 Serie (Termisk) (/view/?id=9860) CAM50 Analog (Dagslys) (/view/?id=9739) CAM100 Analog (Dagslys) (/view/?id=9714)	Mobile Apps (/view/?id=2121) Voyage Planner (/view/?id=3218) RayTech Navigation (/view/?id=510)	Fiind Forhandler (/view/?id=911) Online Store (https://www.raymarinestore.eu/) LightHouse Chart Store (https://charts.raymarine.com/) Download en Brochure og Prisliste (/view/?id=895)
	PARTNER RESOURCES (http://dealer.raymarine.com/Login)	Partner Portal (http://dealer.raymarine.com/Login) Media Resources (/view/?id=5993)	KONTAKT OS

Trådløs
Fjernbetjeningsenhed
(/view/?id=848)

CAM200IP (Dagslys)
(/view/?id=10289)
CAM210IP (Dagslys)
(/view/?id=16376)
CAM220IP (Dagslys)
(/view/?id=16388)

RADAR (/view/?
id=243)

NYE Quantum fra FLIR
(/content/?id=13531)
Lukket Radar (/view/?
id=313)
Åben Radar (/view/?
id=168)

(<http://www.flir.com>)

2017 © FLIR Systems All rights reserved. Privacy Policy (<http://www.flir.com/corporate/en/?id=16274>) | Copyright Policy (<http://www.flir.com/corporate/en/?id=16276>) | Terms of Use (<http://www.flir.com/corporate/en/?id=16272>)

Raymarine SeaTalk^{ng} Forbindelser

Databus til forbindelse mellem Raymarine Produkter

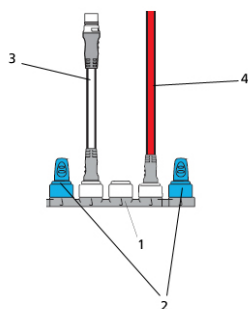
SeaTalk^{ng} er en databus forbindelse mellem Raymarine produkter. Kabler med en lille diameter og små stik bruges igennem hele systemet for at gøre installering nemmere.

Der er et stort udvalg a kabellængder, alle med støbte stik så der er ikke brug for at klipper eller samle kabler. Spur kablerne forbinder de individuelle SeaTalk^{ng} produkter til SeaTalk^{ng} backbone.

[Features](#)[SeaTalkng Starter Kit](#)[SeaTalk to SeaTalk NG converter Kit](#)[Documents](#)

Raymarine SeaTalk^{ng} Starter Kit

SeaTalk^{ng} is a robust cabling and connection system compatible with NMEA 2000, built specifically for the marine environment comprising a powered single backbone with two terminators, one at each end.



The SeaTalk^{ng} Starter Kit

The SeaTalk^{ng} Starter Kit is the perfect way to get started with your SeaTalk^{ng} compatible Raymarine product.

The 5-way connector forms the start of your SeaTalk^{ng} backbone and your SeaTalk^{ng} product is connected via a Spur Cable.

Starter Kit part number: T70134

What's in the kit?

1. A06064: SeaTalk^{ng} 5-way Connector
2. A06031: SeaTalk^{ng} Backbone Terminator (x2)
3. A06040: SeaTalk^{ng} Spur Cable 3m
4. A06049: SeaTalk^{ng} Power Cable

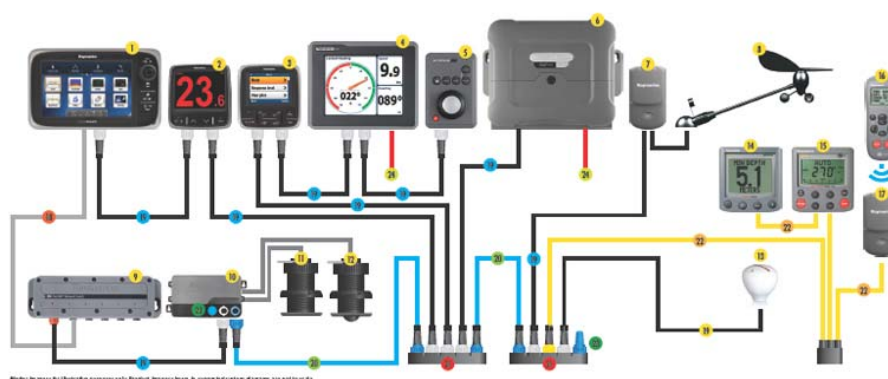
Example Starter Kit Setup

1. SeaTalk^{ng} 5-way Connector
2. SeaTalk^{ng} Backbone Terminators
3. SeaTalk^{ng} Spur Cable connecting to an e7 unit (e7 sold separately)
4. SeaTalk^{ng} Power Cable
5. A22111: DST800 Transducer (sold separately)



Expanding your Starter Kit

As your Raymarine system expands, so can your starter kit. Additional backbone cables, plugs and sockets can be added so you can connect more products via spur cables. Learn more about SeaTalk^{NG} networking (</view/?id=400>)



Note: Images do not show the complete product. Images shown in suggest system diagrams are not to scale.

DRAGONFLY®

(</view/?id=11198>)

Dragonfly 4, 5 og NYE 7PRO (</view/?id=11200>) Første generation

Dragonfly 6 og 7 (</view/?id=6854>)

MULTIFUKTIONS

DISPLAY (</view/?id=397>)

FISKE EKKOLODS

MODULER (</view/?id=478>)

Wi-FISH Ekkolod med DownVision™ (</view/?id=11201>)

CP100 CHIRP

DownVision™ (</view/?id=8069>)

CP200 CHIRP SideVision™ (</view/?id=10308>)

NYE CP370 Digital Ekkolods Moduler (</view/?id=11578>)

VHF-RADIO (</view/?id=221>)

Ray50 VHF-Radio

(</view/?id=10727>)

Ray60 VHF-Radio

(</view/?id=10805>)

Ray49 VHF-Radio

(</view/?id=10661>)

Ray218 VHF-Radio

(</view/?id=10690>)

Ray218 VHF-Radio

(</view/?id=10690>)

Ray260 VHF-Radio

(</view/?id=10690>)

Nye Ray52 med GPS

(</view/?id=17007>)

Ray70 VHF-Radio

(</view/?id=10809>)

Ray55 VHF-Radio

(</view/?id=10690>)

Ray55 VHF-Radio

(</view/?id=10690>)

Ray260 VHF-Radio

(</view/?id=10690>)

Ray260 VHF-Radio

(</view/?id=10690>)

OM RAYMARINE

(</view/?id=1103>)

Historie (</view/?id=1125>)

Video Galleri (</view/?id=2679>)

Kontor Lokationer (</view/?id=633>)

Karriere (</view/?id=1245>)

Fiind Forhandler (</view/?id=911>)

Pro Ambassadors (</view/?id=3877>)

Kontakt Os (</view/?id=1154>)

Kontakt Os (</view/?id=1154>)

Kontakt Os (</view/?id=1154>)

Kontakt Os (</view/?id=1154>)

Kontakt Os (</view/?id=1154>)

Kontakt Os (</view/?id=1154>)

Kontakt Os (</view/?id=1154>)

Axiom NYT Axiom
(/multifunktions-
displays/axiom-
pro/)

aSerie NYT eS Serie
(/view/?
id=4954) (/content/?
id=12152)

gS Serie LightHouse II
(/view/?
id=6862) (/view/?
id=8291)

LightHouse 3cSerie
(/multifunktions-
displays/lighthouse-
3c/)

eSerie Elektroniske
Kort (/view/?
id=2966) id=9606)

ALS (/view/?
id=3126) Digital
Switching
(/view/?
id=6863)

Motor Nye - Marine
Interface Weather
(/view/?
id=8507) id=17054)

Netværks Extern GPS
(/view/?
id=3011) id=13127)

Ekkolods RCU-3 Rat
Transducer Fjernbetjening
(/view/?
id=1573) id=9668)

RMK-9 NYE - RMK-
Fjernbetjening
(/view/?
id=10257) (/multifunction-
displays/accessories/rmk-
10/)

AUTOPILOTER

(/view/?id=581)

Evolution Autopiloten
(/view/?id=8239)

Driv Enheder (/view/?
id=579)

Kontrolenheder (/view/?
id=766)

Trådløs
Fjernbetjeningsenhed
(/view/?id=848)

RADAR (/view/?

id=243)

NYE Quantum fra FLIR
(/content/?id=13531)

Lukket Radar (/view/?
id=313)

Åben Radar (/view/?
id=168)

NYE CP470 CHIRP
Ekkolods (/view/?
id=11655)

NYE CP570 CHIRP
Ekkolods (/view/?
id=11674)

Ekkolods Transducer
(/view/?id=1573)

INSTRUMENT

(/view/?id=214)

i40 i50 Fart og
Kompakte Dybde
(/view/? (/view/?
id=4870) id=5125)

i60 Vind i70
Multifunktion
(/view/? (/view/?
id=5127) id=1250)

NYE i70s Multifunktion
(/view/?id=17721)

Raymarine Trådløse Serie
(/view/?id=1237)

Instrument Tilbehør
(/view/?
id=214#accessories)

KAMERAS (TERMISK

OG DAGSLYS)

NYE FLIR Ocean Scout TK
(http://www.flir.eu/marine/content/?
id=73729)

FLIR Ocean NYE FLIR AX8
Scout (http://www.flir.eu/marine/display/
id=75993)

T200 Serie (Termisk)
(/view/?id=9828)

T300 og T400 Serie
(Termisk) (/view/?id=9860)

CAM50 Analog (Dagslys)
(/view/?id=9739)

CAM100 Analog (Dagslys)
(/view/?id=9714)

CAM200IP (Dagslys)
(/view/?id=10289)

CAM210IP (Dagslys)
(/view/?id=16376)

CAM220IP (Dagslys)
(/view/?id=16388)

(/view/? (/view/?
id=10703) id=6992)

RayMic
(/view/?
id=10840)

SATELLIT TV

ANTENNE SYSTEMER

(/view/?id=179)

33STV 37STV
(/view/? (/view/?
id=179) id=179)

45STV 60STV
(/view/? (/view/?
id=179) id=179)

SOFTWARE (/view/?

id=3193)

Mobile Apps (/view/?
id=2121)

Voyage Planner (/view/?
id=3218)

RayTech Navigation
(/view/?id=510)

PARTNER RESOURCES

(http://dealer.raymarine.com/Login)

Partner Portal
(http://dealer.raymarine.com/Login)

Media Resource (/view/?
id=75993)

KØBE (/view/?

id=1103)

Fiind Forhandler (/view/?
id=911)

Online Store
(https://www.raymarinestore.eu/)

LightHouse Chart Store
(https://charts.raymarine.com/)

Download en Brochure og
Prisliste (/view/?id=895)

SERVICE OG

SUPPORT (/view/?

id=773)

Manualer (/view/?
id=10125)

Produkt Registrering
(/view/?id=788)

FAQ (/knowledgebase/)

Software opdateringer
(/view/?id=797)

Reparation og garanti
(/view/?id=779)

KONTAKT OS

(<http://www.flir.com>)

2017 © FLIR Systems All rights reserved. Privacy Policy (<http://www.flir.com/corporate/en/?id=16274>) | Copyright Policy (<http://www.flir.com/corporate/en/?id=16276>) | Terms of Use (<http://www.flir.com/corporate/en/?id=16272>)

Raymarine SeaTalk^{ng} Forbindelser

Databus til forbindelse mellem Raymarine Produkter

SeaTalk^{ng} er en databus forbindelse mellem Raymarine produkter. Kabler med en lille diameter og små stik bruges igennem hele systemet for at gøre installering nemmere.

Der er et stort udvalg a kabellængder, alle med støbte stik så der er ikke brug for at klipper eller samle kabler. Spur kablerne forbinder de individuelle SeaTalk^{ng} produkter til SeaTalk^{ng} backbone.

[Features](#)[SeaTalkng Starter Kit](#)[SeaTalk to SeaTalk NG converter Kit](#)[Documents](#)

Raymarine SeaTalk¹ to SeaTalk^{ng} converter kit

Part Number: E22158



The SeaTalk¹ to SeaTalk^{ng} converter allows select SeaTalk¹ devices to interface and communicate on the Raymarine SeaTalk^{ng} data network. It is compatible with legacy ST40, ST60+, Raystar 125 GPS sensors and LifeTag Wireless Man Overboard Systems.



The SeaTalk to SeaTalk^{ng} Converter kit is a compact solution that connects in-line with the SeaTalk^{ng} instrument network.

Key Features

- Easy plug-and-play connectivity with SeaTalk^{ng} networks.
- Works with select SeaTalk¹ products; instruments, pilot heads, GPS sensors and LifeTag.
- Included SeaTalk^{ng} components establish basic backbone connectivity.
- Easily expanded using Raymarine SeaTalk^{ng} network components.

What is in the kit?

The converter kit includes all of the necessary components to interface to SeaTalk¹ devices, and establish basic SeaTalk^{ng} connectivity on the vessel including:

- SeaTalk¹ to SeaTalk^{ng} converter
- SeaTalk^{ng} Terminators (x2)
- SeaTalk^{ng} Blanking Plugs (x2)
- 1m (3.3-foot) SeaTalk¹ to SeaTalk^{ng} converter cable
- SeaTalk^{ng} power cable
- 1m (3.3-foot) SeaTalk^{ng} spur cable



DRAGONFLY®

(/view/?id=11198)

Dragonfly 4, 5 og NYE
7PRO (/view/?id=11200)
Første generation
Dragonfly 6 og 7 (/view/?
id=6854)

MULTIFUKTIONS

DISPLAY (/view/?

id=397)

Axiom NYE Axiom
(/multifunktions-
displays/axiom-
pro/)

aSerie NYE eS Serie
(/view/? (/content/?
id=4954) id=12152)

gS Serie LightHouse II
(/view/? (/view/?
id=6862) id=8291)

LightHouse 3cSerie
(/multifunktions-
displays/lighthouse-3c/)

eSerie Elektroniske
(/view/? Kort (/view/?
id=2966) id=9606)

AIS (/view/? Digital
id=3126) Switching

FISKE EKKOLODS

MODULER (/view/?

id=478)

Wi-FISH Ekkolod med
DownVision™ (/view/?
id=11201)
CP100 CHIRP
DownVision™ (/view/?
id=8069)
CP200 CHIRP SideVision™
(/view/?id=10308)

NYE CP370 Digital
Ekkolods Moduler (/view/?
id=11578)

NYE CP470 CHIRP
Ekkolods (/view/?
id=11655)

NYE CP570 CHIRP
Ekkolods (/view/?
id=11674)

Ekkolods Transducer
(/view/?id=1573)

INSTRUMENT

(/view/?id=214)

i40 i50 Fart og
Kompakte Dybde
(/view/? (/view/?
id=4870) id=5125)

VHF-RADIO (/view/?

id=221)

Ray50 VHF- Nye Ray52
Radio med GPS
(/view/? (/view/?
id=10727) id=17007)

Ray60 VHF- Ray70 VHF-
Radio Radio
(/view/? (/view/?
id=10805) id=10809)

Ray49 VHF- Ray55 VHF-
Radio Radio
(/view/? (/view/?
id=10661) id=10690)

Ray218 VHF- Ray260 VHF-
Radio Radio
(/view/? (/view/?
id=10703) id=6992)

RayMic
(/view/?
id=10840)

KØBE (/view/?

id=1103)

Fiind Forhandler (/view/?
id=911)

Online Store
(https://www.raymarinestore.eu/)

LightHouse Chart Store
(https://charts.raymarine.com/)

Download en Brochure og
Prisliste (/view/?id=895)

SATELLIT TV

ANTENNE SYSTEMER

(/view/?id=179)

33STV 37STV
(/view/? (/view/?
id=179) id=179)

OM RAYMARINE

(/view/?id=1103)

Historie (/view/?id=1125)
Video Galleri (/view/?
id=2679)

Kontor Lokationer (/view/?
id=633)

Karriere (/view/?id=1245)

Fiind Forhandler (/view/?
id=911)

Pro Ambassadors (/view/?
id=3877)

Kontakt Os (/view/?
id=1154)

KØBE (/view/?

id=1103)

Fiind Forhandler (/view/?
id=911)

Online Store
(https://www.raymarinestore.eu/)

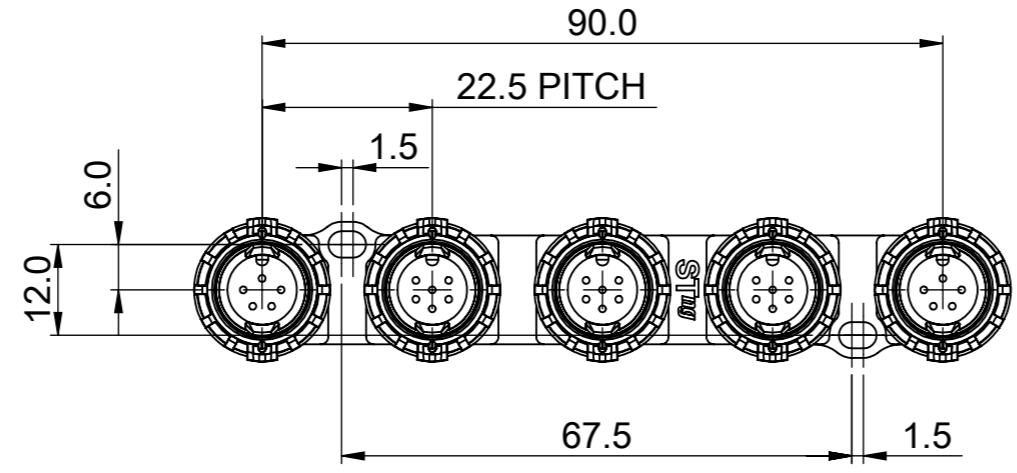
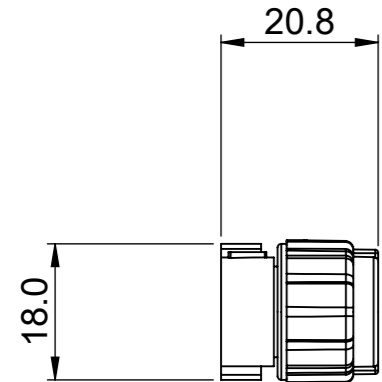
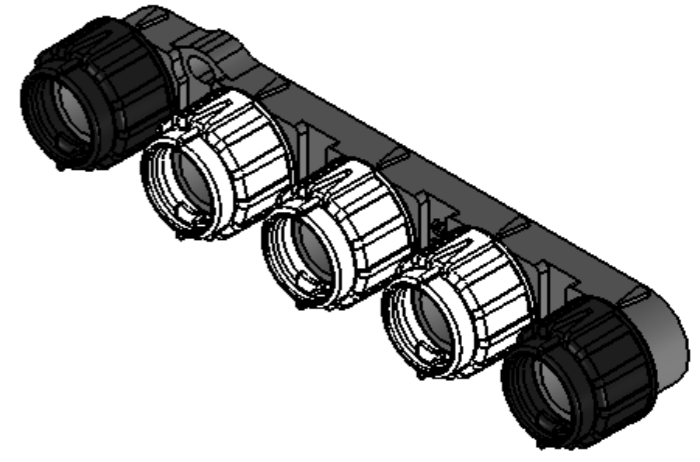
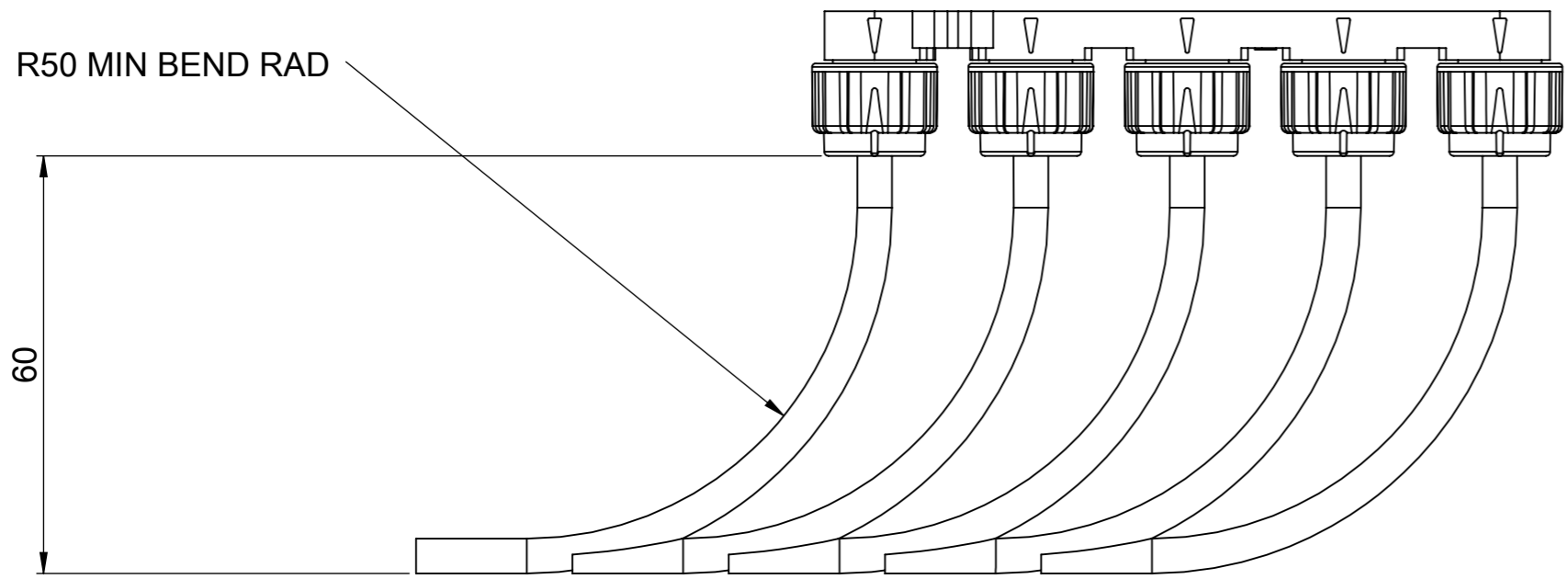
LightHouse Chart Store
(https://charts.raymarine.com/)

Download en Brochure og
Prisliste (/view/?id=895)

	(/view/?id=6863)	i60 Vind	i70 Multifunktion	45STV	60STV	SERVICE OG
Motor	Nye - Marine	id=5127	(/view/?id=1250)	(/view/?id=179)	(/view/?id=179)	SUPPORT (/view/?id=773)
Interface	Weather		NYE i70s Multifunktion			
(/view/?id=8507)	(/view/?id=17054)		(/view/?id=17721)			
Netværks	Extern GPS		Raymarine Trådløse Serie	SOFTWARE (/view/?id=3193)		Manualer (/view/?id=10125)
(/view/?id=3011)	(/view/?id=13127)		(/view/?id=1237)			Produkt Registrering (/view/?id=788)
Ekkolods	RCU-3 Rat		Instrument Tilbehør	Mobile Apps (/view/?id=2121)		FAQ (/knowledgebase/)
Transducer	Fjernbetjening	id=214#accessories		Voyage Planner (/view/?id=3218)		Software opdateringer (/view/?id=797)
(/view/?id=1573)	(/view/?id=9668)			RayTech Navigation (/view/?id=510)		Reparation og garanti (/view/?id=779)
RMK-9	NYE - RMK-					
Fjernbetjening	0		KAMERAS (TERMISK			
(/view/?id=10257)	Fjernbetjening		OG DAGSLYS)			
	(/multifunction-displays/accessories/rmk-10/)		NYE FLIR Ocean Scout TK	PARTNER RESOURCES		KONTAKT OS
			http://www.flir.eu/marine/content?id=73729	http://dealer.raymarine.com/Login		
			FLIR Ocean NYE FLIR AX8			
			Scout	http://www.flir.eu/marine/partner-portal		
AUTOPILOTER			http://www.flir.eu/marine/display?id=71005	http://dealer.raymarine.com/Login		
(/view/?id=581)			id=67126	Media Resources (/view/?id=5993)		
Evolution Autopiloten			T200 Serie (Termisk)			
(/view/?id=8239)			(/view/?id=9828)			
Driv Enheder (/view/?id=579)			T300 og T400 Serie			
Kontrolenheder (/view/?id=766)			(Termisk) (/view/?id=9860)			
Trådløs			CAM50 Analog (Dagslys)			
Fjernbetjeningsenhed			(/view/?id=9739)			
(/view/?id=848)			CAM100 Analog (Dagslys)			
			(/view/?id=9714)			
			CAM200IP (Dagslys)			
			(/view/?id=10289)			
			CAM210IP (Dagslys)			
			(/view/?id=16376)			
			CAM220IP (Dagslys)			
			(/view/?id=16388)			
RADAR (/view/?id=243)						
			NYE Quantum fra FLIR			
			(/content/?id=13531)			
			Lukket Radar (/view/?id=313)			
			Åben Radar (/view/?id=168)			

<http://www.flir.com>

2017 © FLIR Systems All rights reserved. Privacy Policy <http://www.flir.com/corporate/en/?id=16274> | Copyright Policy <http://www.flir.com/corporate/en/?id=16276> | Terms of Use <http://www.flir.com/corporate/en/?id=16272>



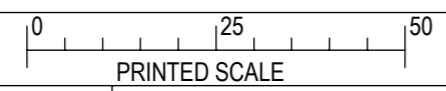
NOTES:

- 1) FOR INFORMATION ON CONNECTIONS AND PRODUCT SPECIFICATIONS, PLEASE REFER TO HANDBOOK, PRODUCT SUPPORT AND WORKSHOP MANUALS.
- 2) FOR ANY DIMENSIONAL INFORMATION NOT INCLUDED PLEASE CONTACT YOUR SALES REPRESENTATIVE.
- 3) DIMENSIONS SHOWN ARE ACTUAL PRODUCT SIZE AND DO NOT INCLUDE ANY CLEARANCE DATA.

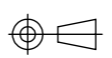
Raymarine
A FLIR COMPANY

© 2011 RAYMARINE LTD

THE INFORMATION CONTAINED HEREIN SHALL NOT BE REPRODUCED WITHOUT THE PRIOR WRITTEN PERMISSION OF RAYMARINE LTD



DRAWN TO BS308



DO NOT SCALE - IF IN DOUBT ASK

DRN:	RSA	DATE: 03/07/13
DIMENSIONS IN MM		SCALE: 1:1

TITLE
STNG 5-WAY BLOCK

DRAWING No.
C_STng_5-Way