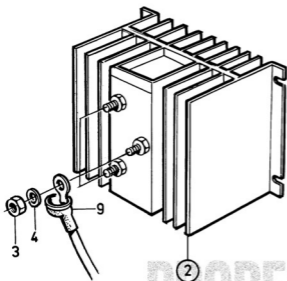
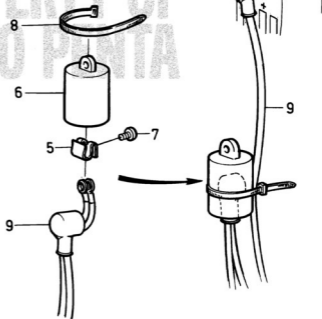


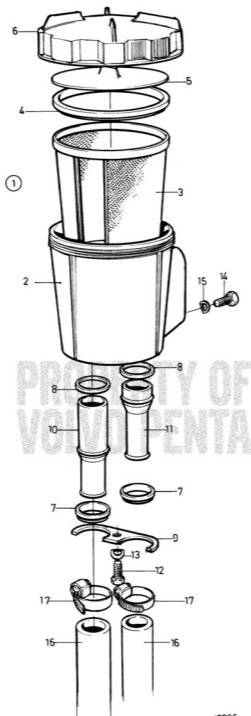
①

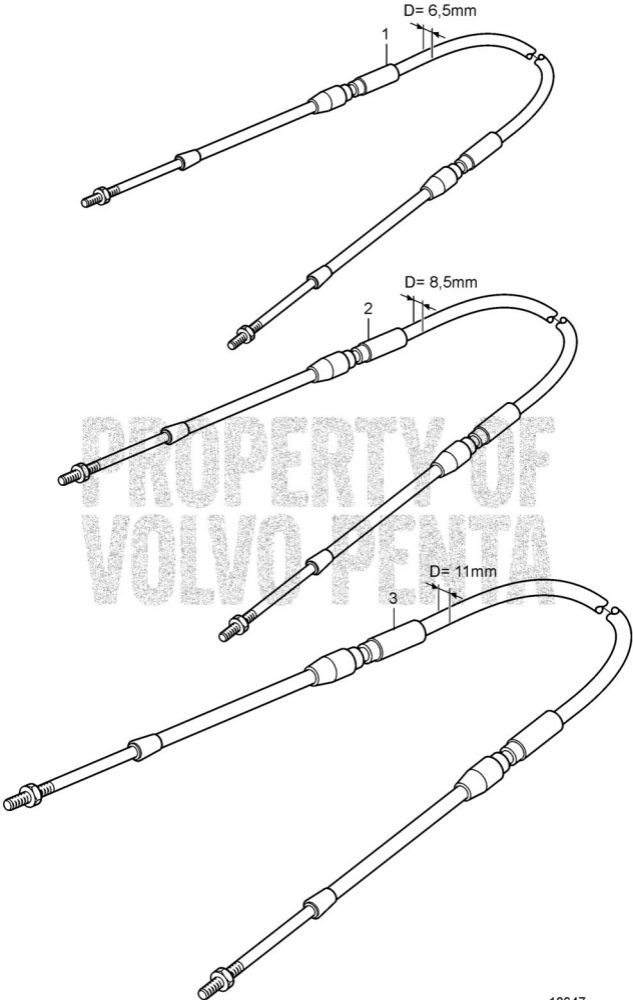


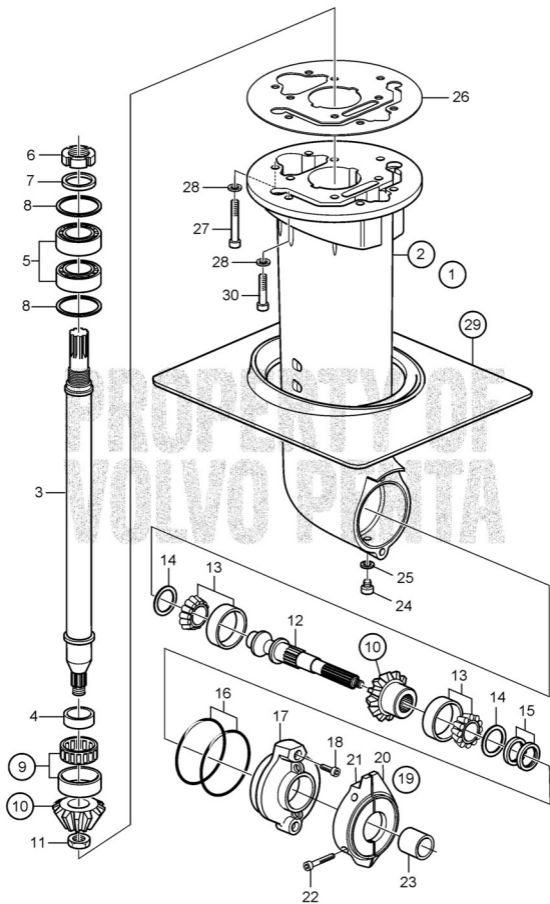
PROPERTY OF
VOLVO PENTA

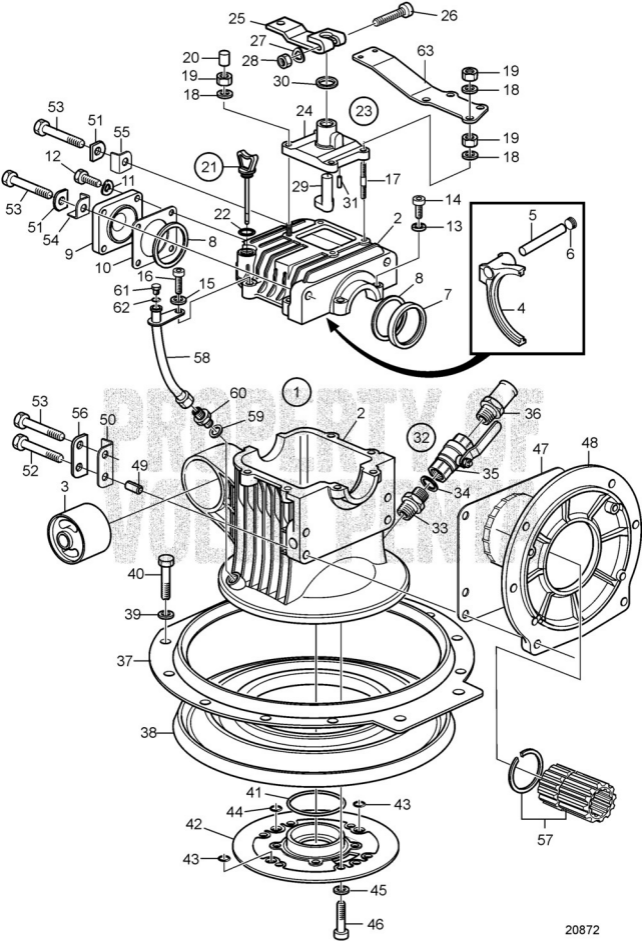


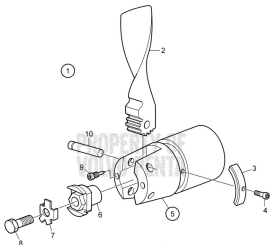
11570

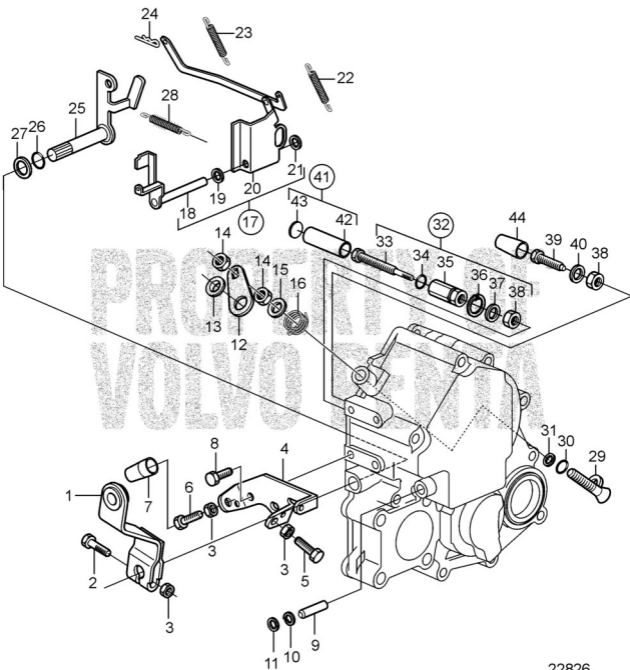


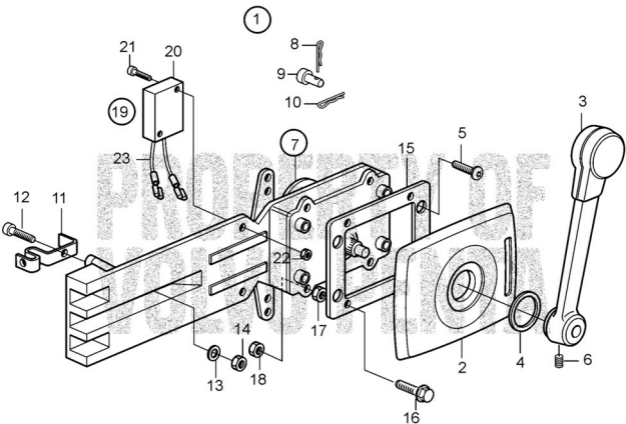


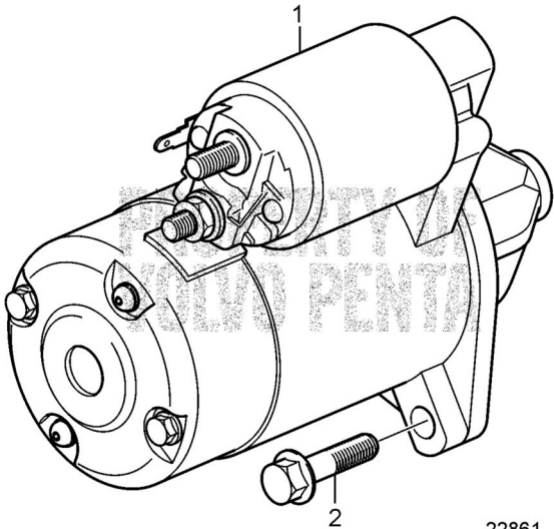




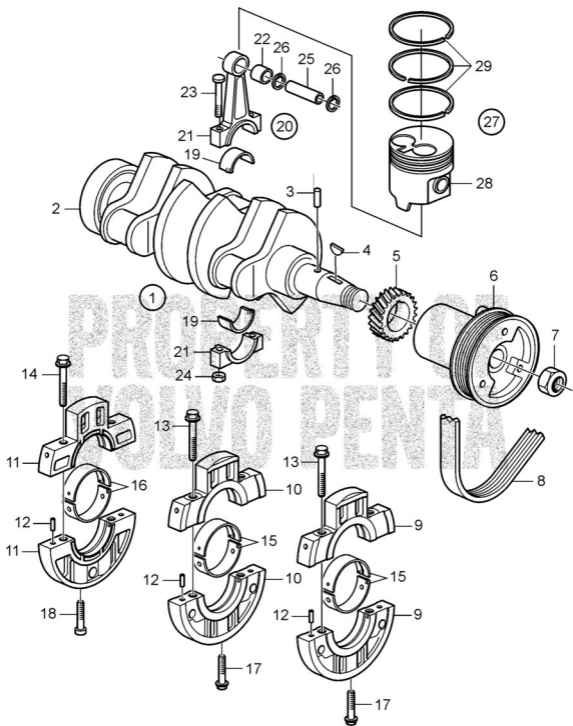


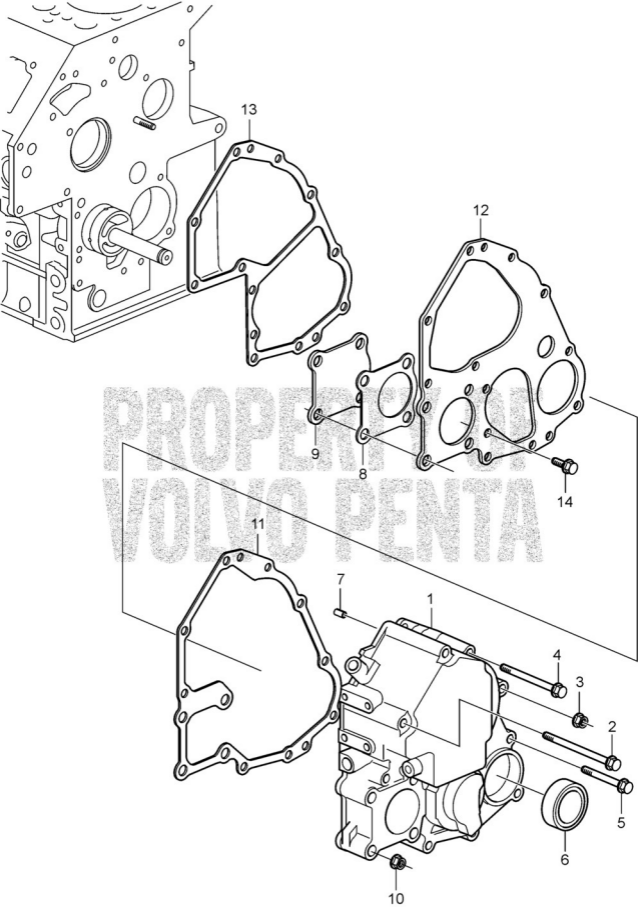


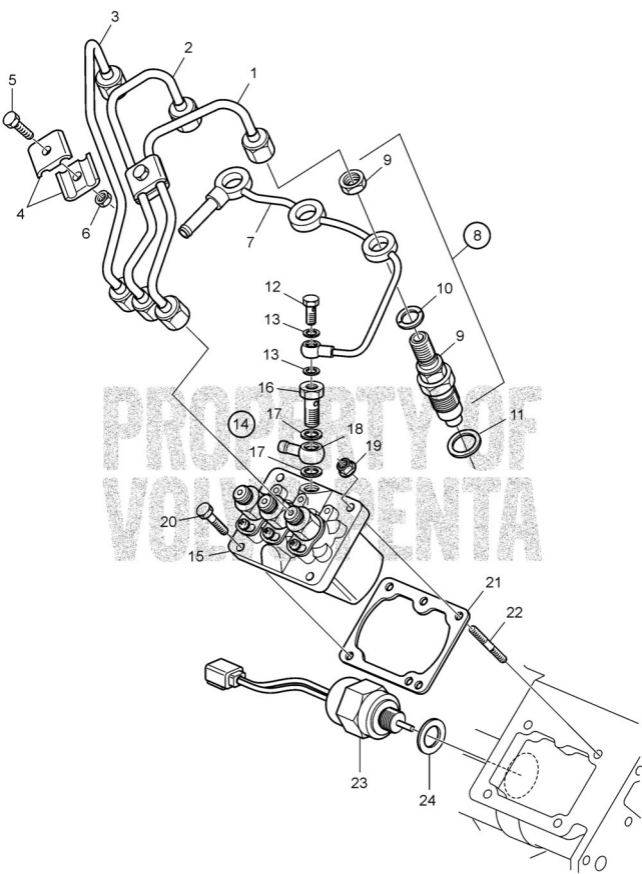


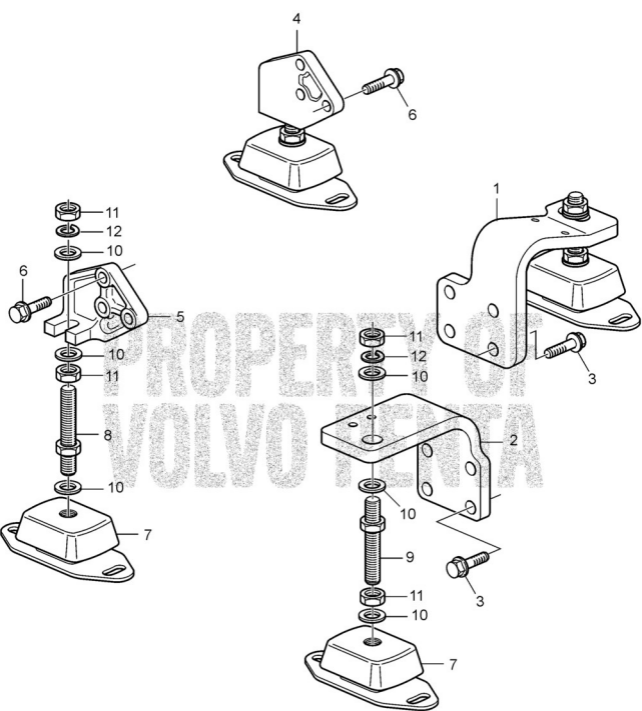


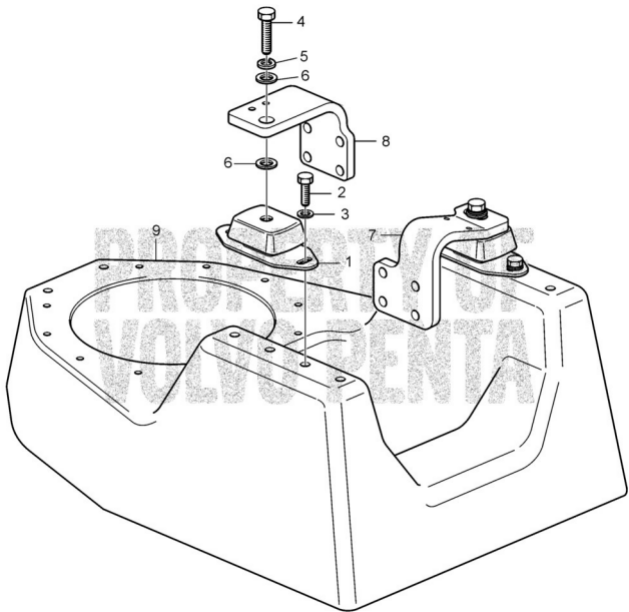
22861

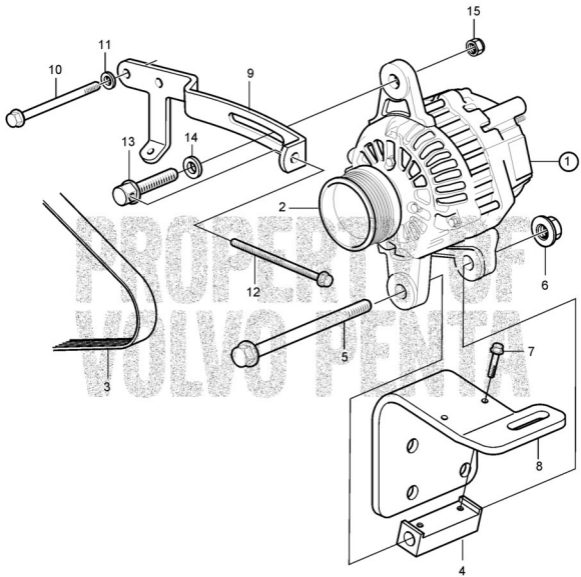


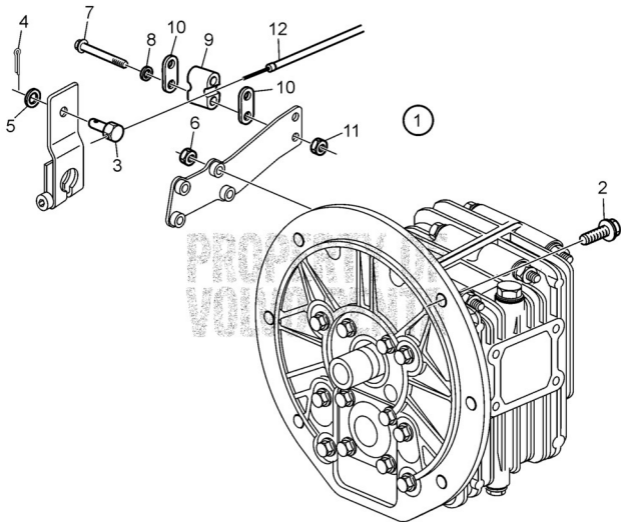


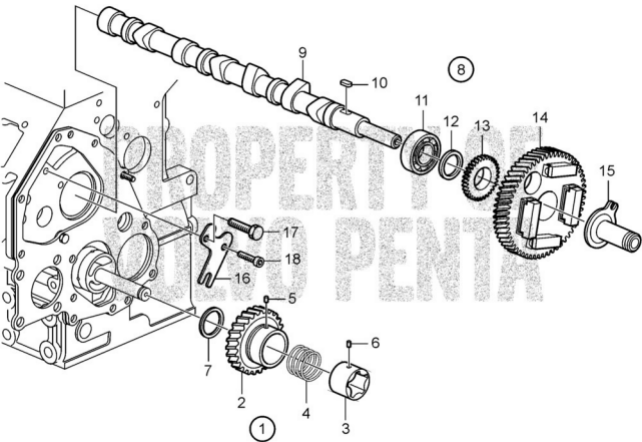


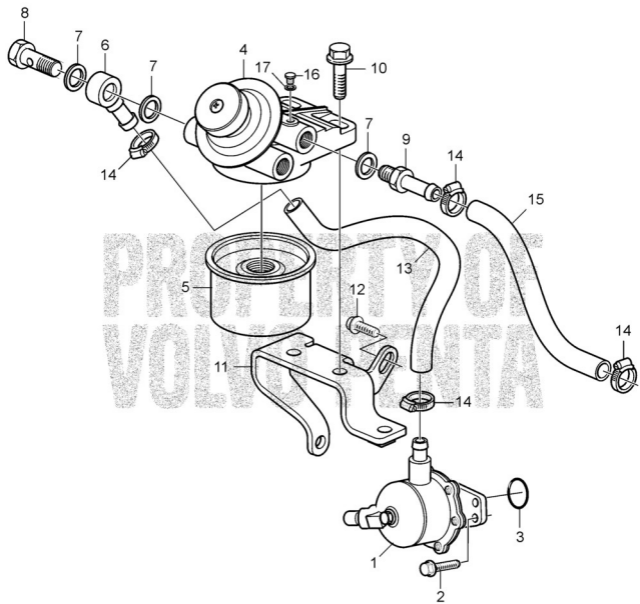


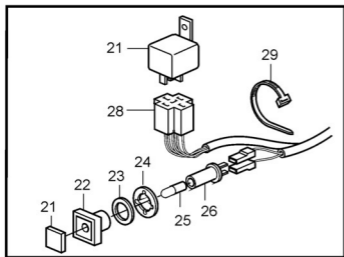
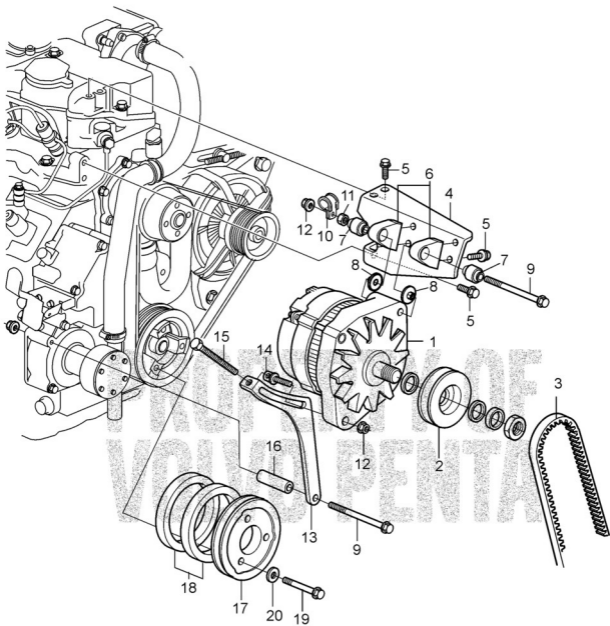


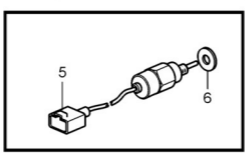
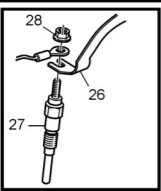
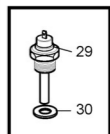
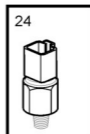
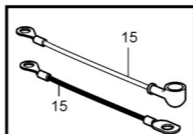
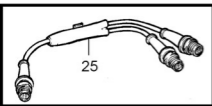
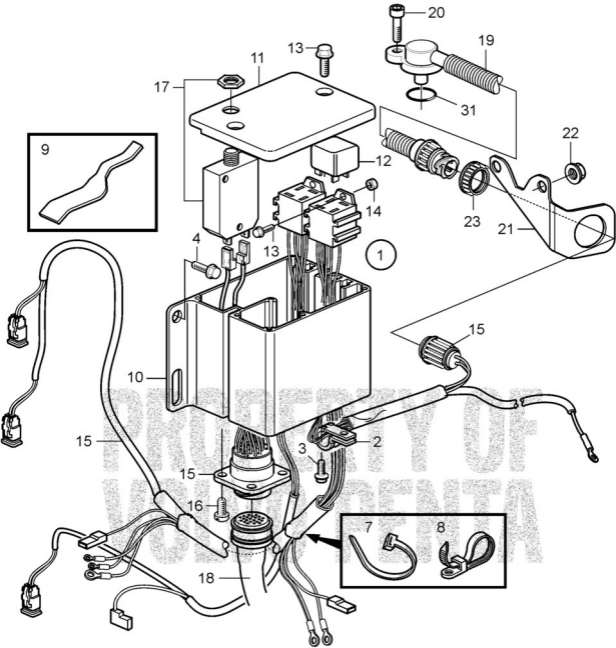


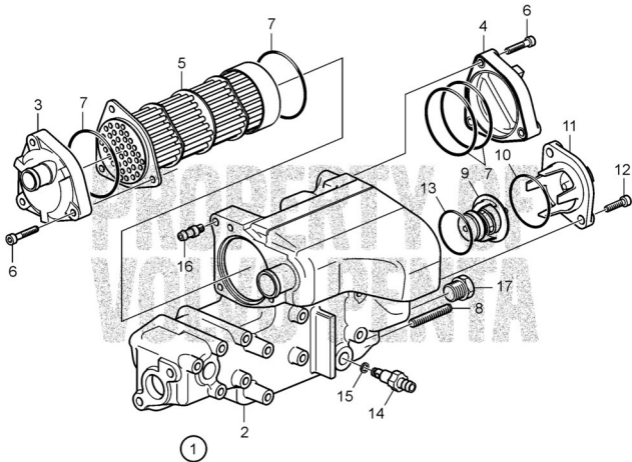


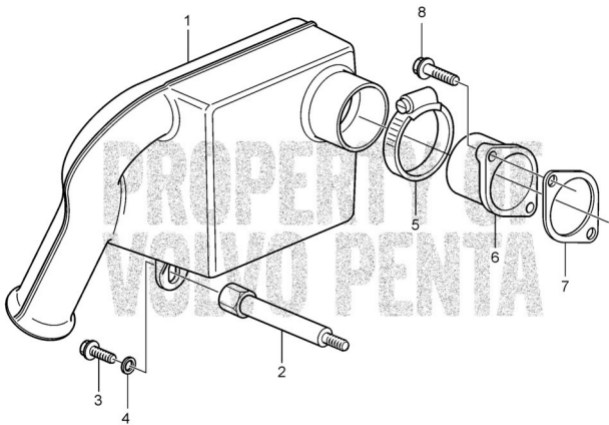


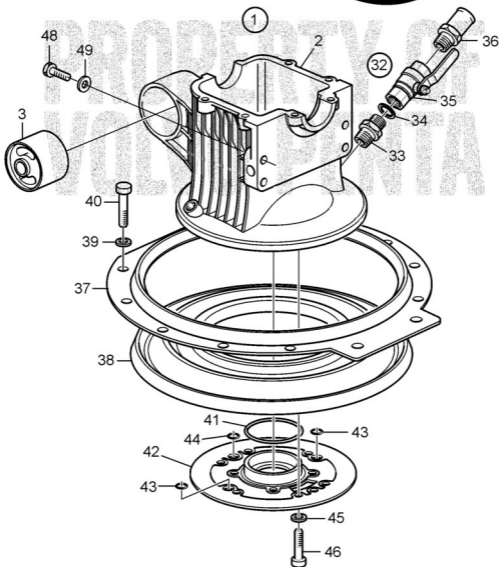
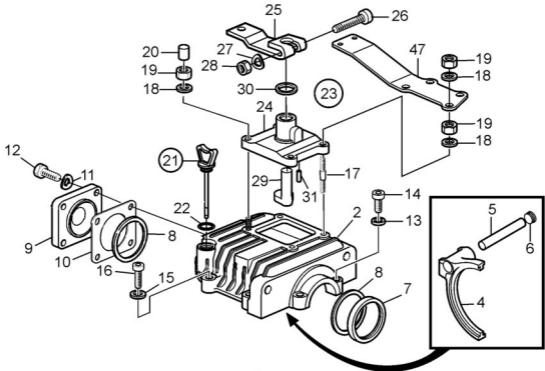


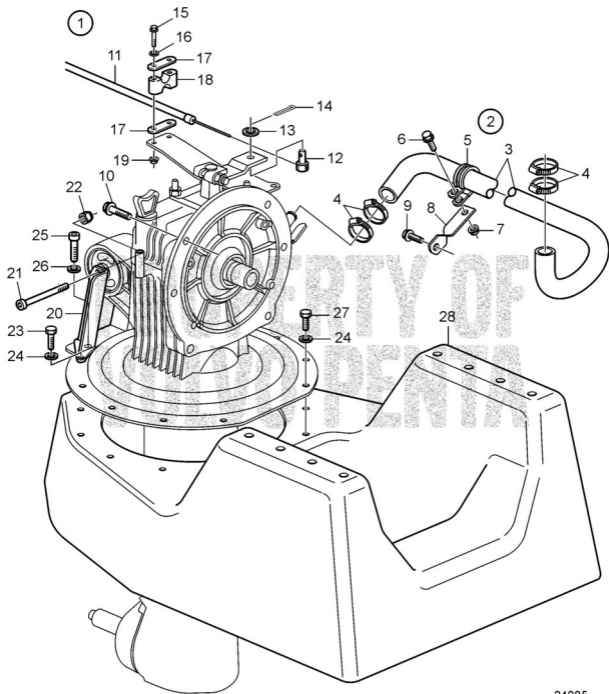


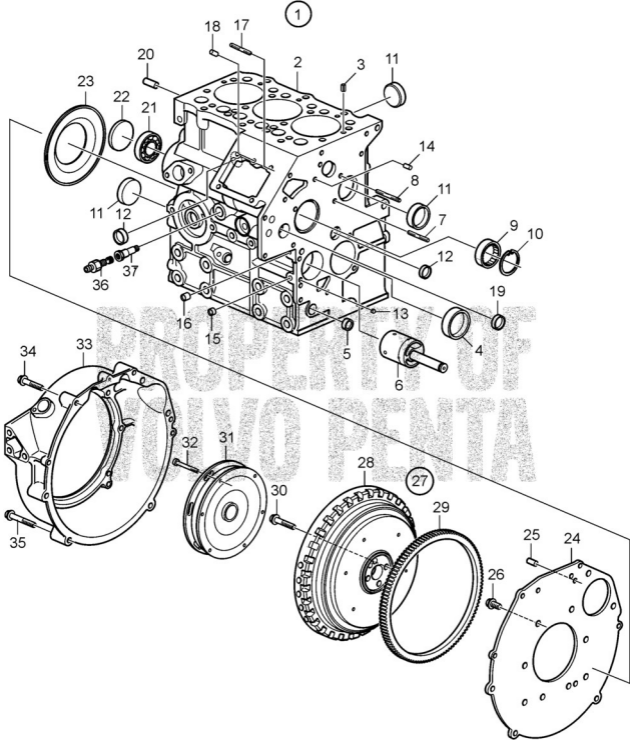


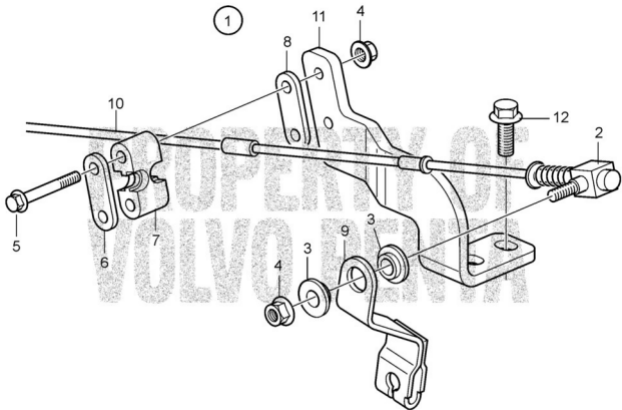


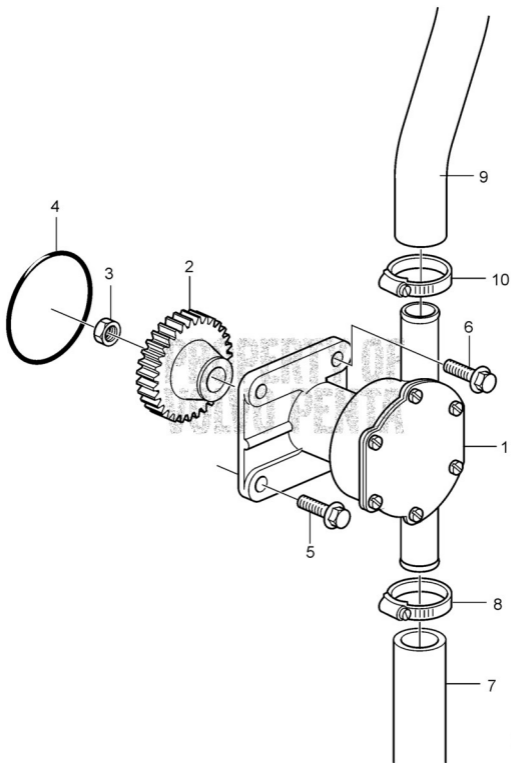


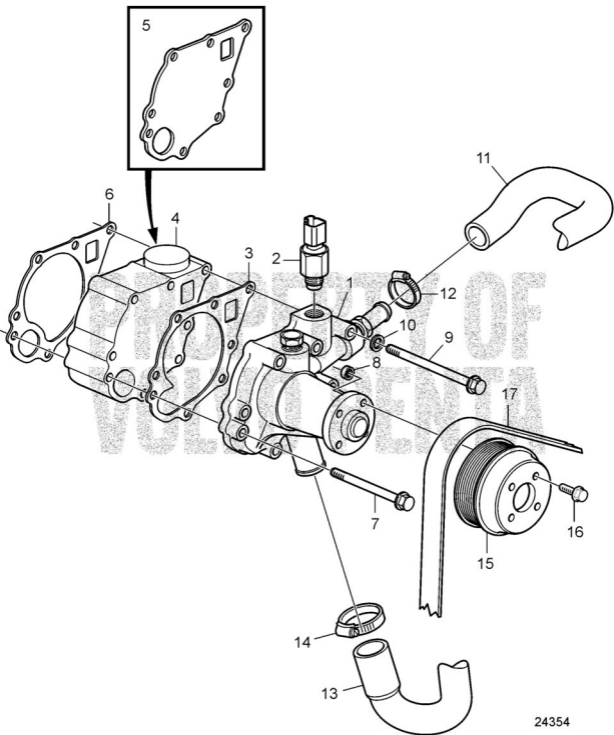


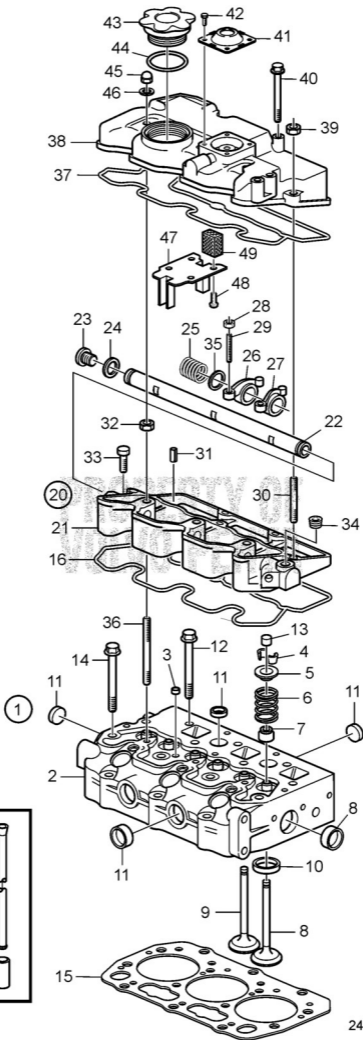








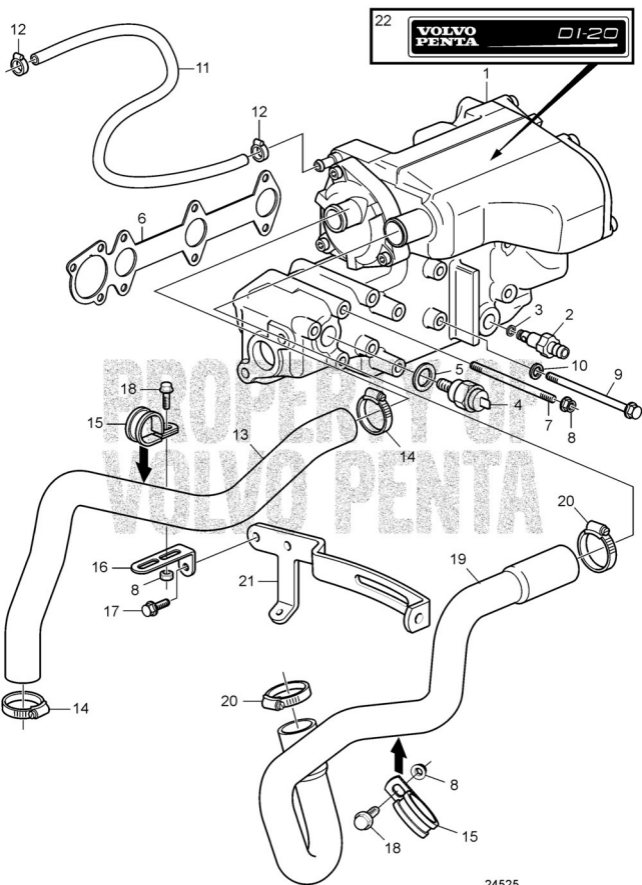




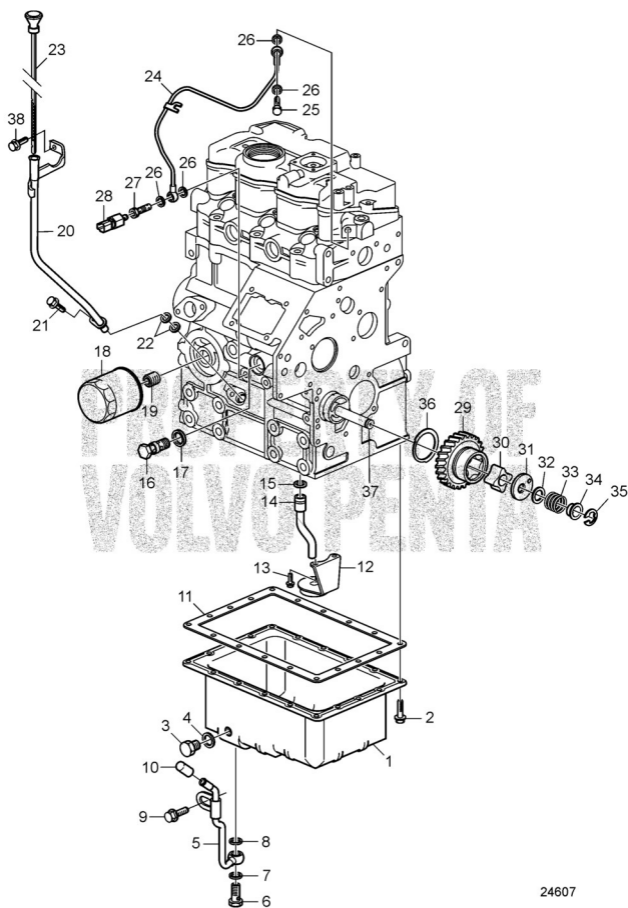
22

VOLVO
PENTA

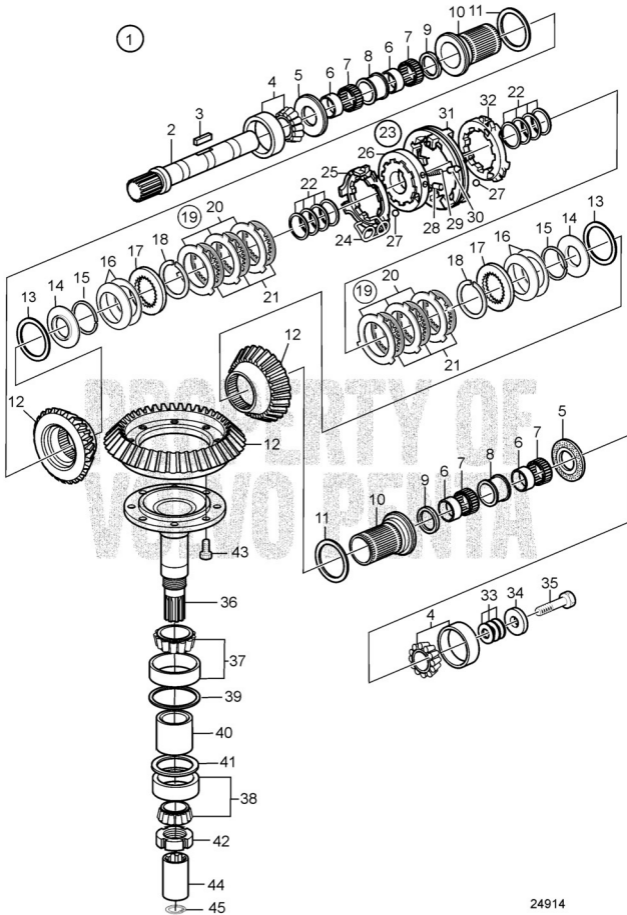
DI-20

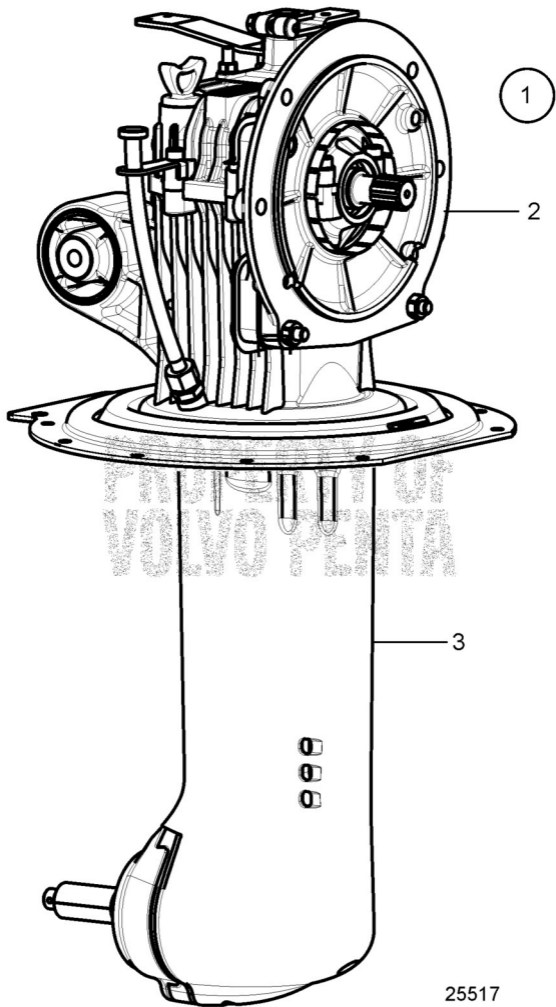


24525



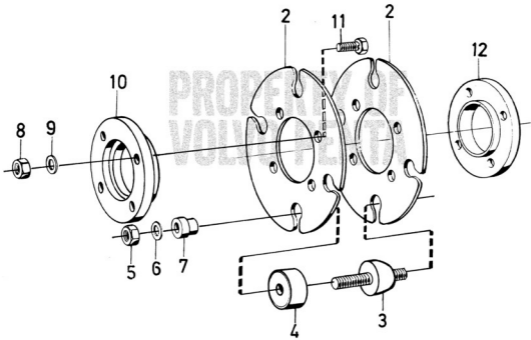
①





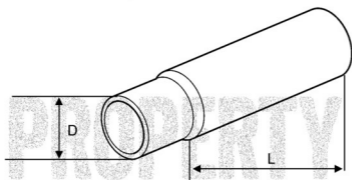
25517

1



3946

1



8498