



## BILGE PUMP



### INSTRUCTION MANUAL

The PLASTIMO bilge pump and its installation complies with the ISO 15083 standard.

#### Installation of the pumping system (see diagram 1):

The pumping system consists of :

- A strainer located in the bottom of the boat.
- A bilge pump situated in a place accessible from the outside, in general in the cockpit or on the desk of the boat.
- A draining thru-hull fitting for the discharge located on the waterline.
- Flexible hoses.
- 2 stainless steel clamps on each hose connection.

The hose must be as short as possible without any substantial curve and should be as accessible as possible.

The difference in height between the lowest and the highest point of the hose must be less than 3 meters.

### INSTALLATION

The PLASTIMO bilge pump must be placed on a flat surface, where the pump is accessible and easy to handle.

Be sure that there is enough space behind the bulkhead to position the pump and to bring the hoses to the rear of the pump.

Be also sure that the bilge pump does not interfere with any other function or equipment around it.

1. Make out and cut a hole of 140 mm diameter.
2. Take off the pump cover, which is removable without the use of any tools, first from the handle side and then from the rotation axis.
3. Present the base of the bilge pump and drill four screw holes.
4. Remove the connection tips from the bilge pump and fit them onto the hoses after having clearly identified the direction of the flow. You may invert the connection tips, but be sure to invert the valves too.
5. Backer-connect the tips. Check carefully that the valves are well positioned by turning them slightly round. The same needs to be done for the connection tips. You should hear a “clic” when fitting them and they should also turn easily round.
6. Fill the groove of the base with a silicon mastic without acetic acid. Fix the base on the bulkhead with 4 screws. Remove immediately any surplus of mastic.
7. The mastic has to be dried completely, before putting the cover back again and being able to use the bilge pump.

## MAINTENANCE

The PLASTIMO bilge pump does not require any specific maintenance.

Two situations could appear :

- Blockage of the valves
- Damage to the diaphragm

### Blockage of the valves

Blockage of the valves has occurred when you feel an unusual level of resistance while using the bilge pump.

1. Take off the bilge pump cover.
2. Unscrew the pump from its place.
3. Take the tips off, clean the valves, replace them if necessary.
4. Be careful to put the valves in the right position when you rebuild the pump. The flat valve is for the input tip.
5. Screw back the pump in its place.

### Damage to the diaphragm

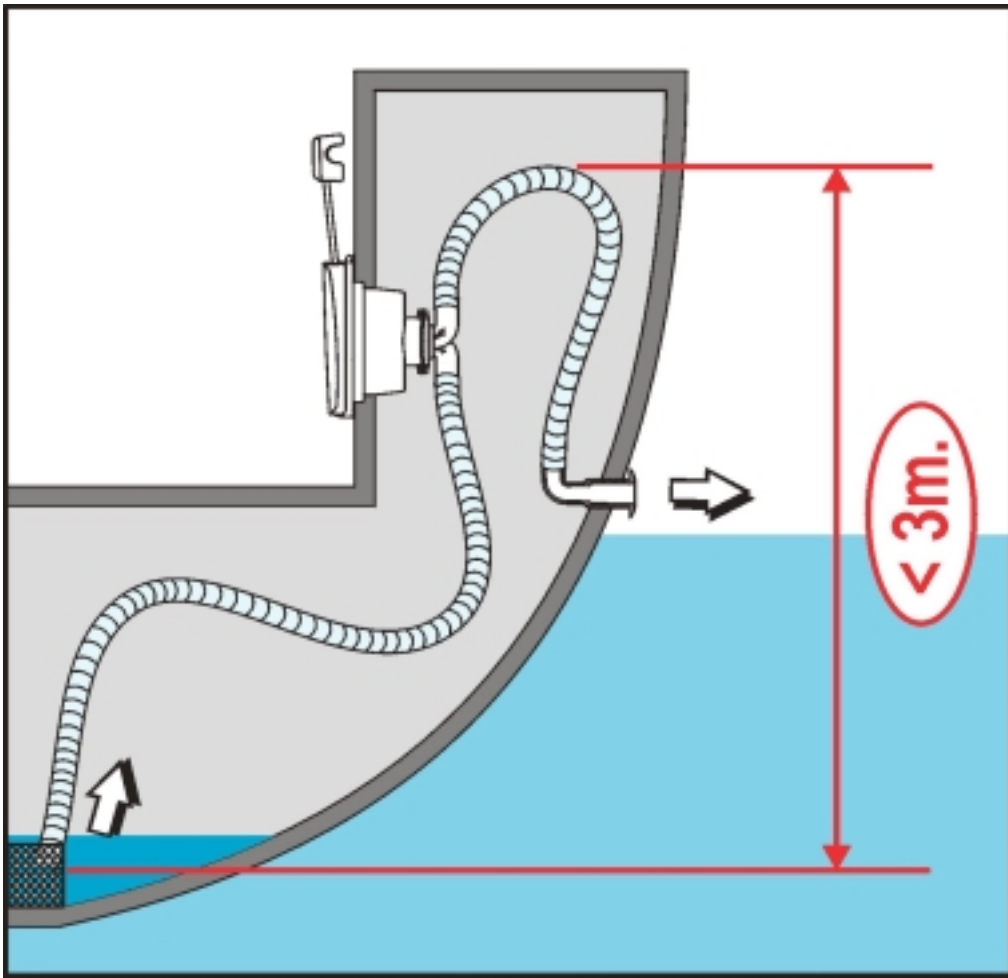
You notice immediately when the diaphragm is leaking, as the water is thrown to the outside.

1. Take off the bilge pump cover.
2. Open the bilge pump with the diaphragm taken outside.
3. Unscrew the pump from its place.
4. Take off the axis linking together the diaphragm and the lever.
5. Unscrew the 3 oblique screws immobilising the diaphragm.
6. Take off the tank from the base by turning it 90 °.
7. Take the diaphragm out of its housing. (Caution: there could be water between the diaphragm and the bottom of the tank). At the same time, you can clean the bottom of the tank and check the condition of the valves. Replace them if necessary.
8. Take a new diaphragm, Put some water with soap on the place where the diaphragm will be in contact with the base.
9. Put it in place, lock by turning it 90° and fix it with the 3 screws.
10. Put back the axis between the diaphragm and the lever and then the cover..
11. Screw back the pump in its place.

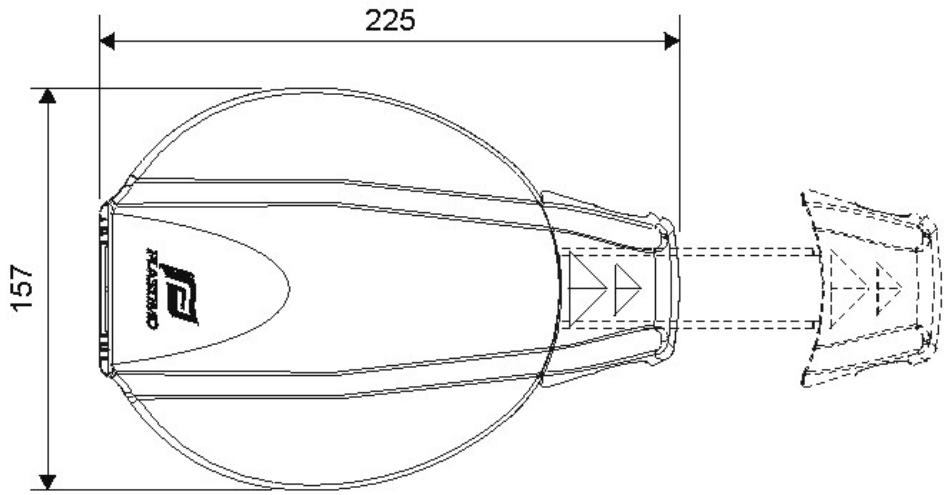
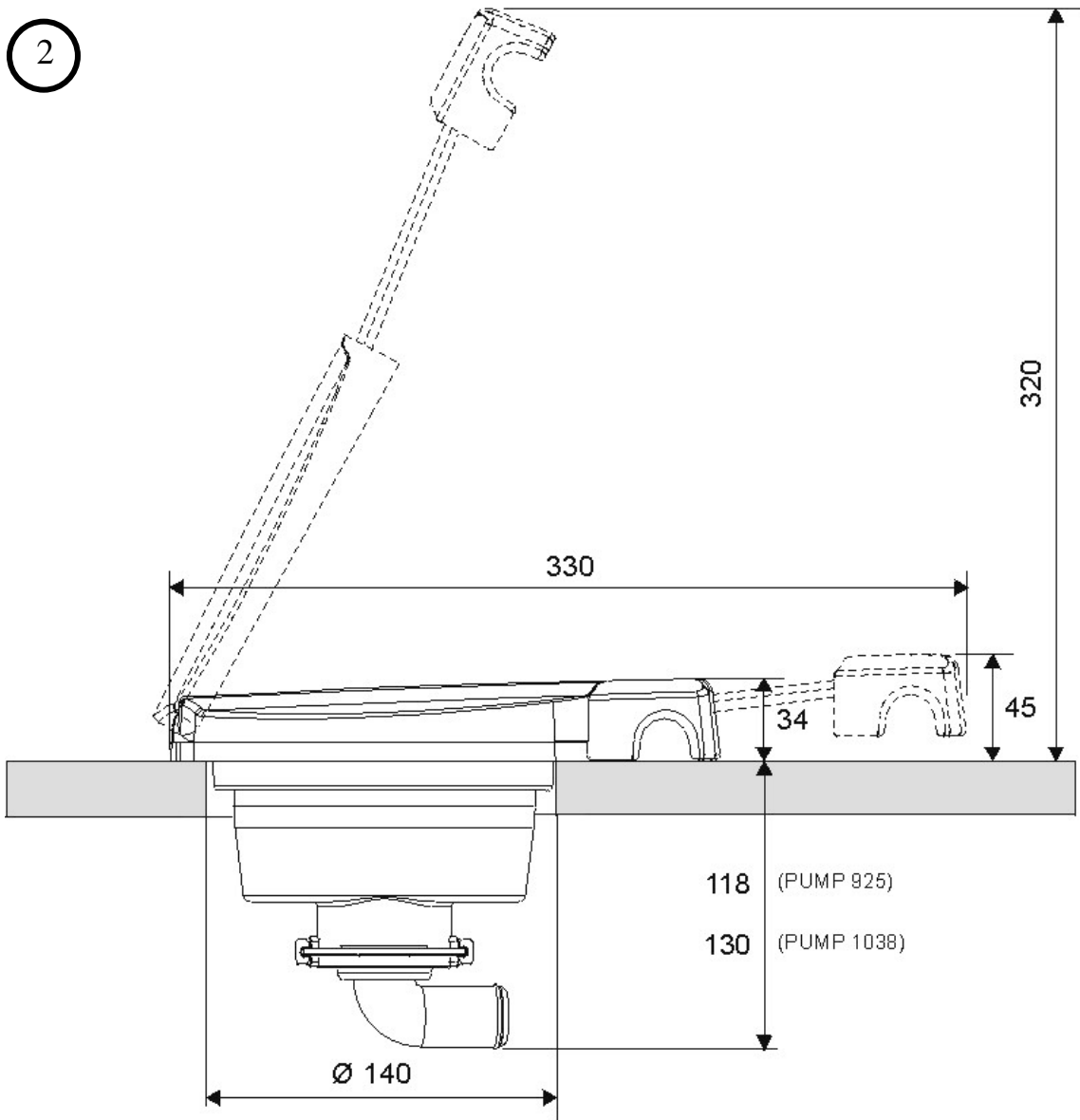
Spare part code numbers:

- |                              |       |
|------------------------------|-------|
| - Admission valve :          | 40676 |
| - Forcing back valve :       | 40677 |
| - 2 fastening clips :        | 40678 |
| - 2 curved tips + toric seal |       |
| - PUMP 925 :                 | 40679 |
| - PUMP 1038 :                | 40680 |
| - Diaphragm :                | 40681 |
| - Cover :                    |       |
| - PUMP 925 :                 | 40682 |
| - PUMP 1038 :                | 40683 |

1

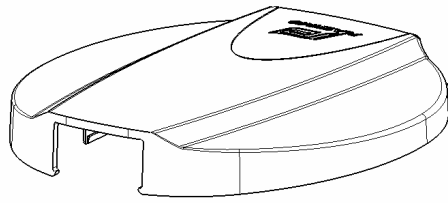


2

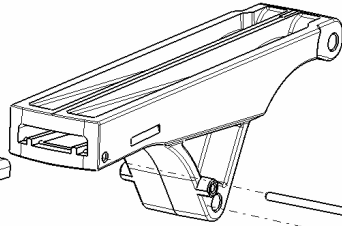


3

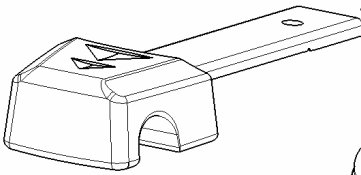
GB - F - I - S  
E - D - NL



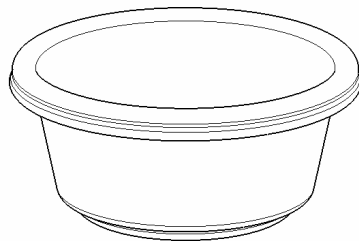
**PUMP 925 : 40682**  
**PUMP 1038 : 40683**  
Cover – Capot –  
Coperchio – Lock – Tapa  
- Abdeckung - Kap



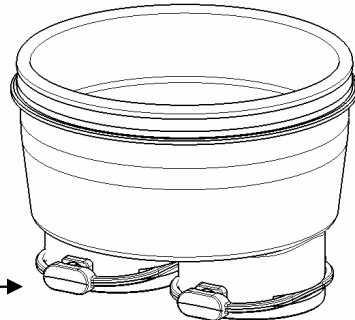
Lever – Levier – Leva –  
Pumphandtag – Palanca -  
Hebel - Hendel



Handle – Poignée –  
Maniglia – Handgrepp –  
Empuñadura - Griff -  
Handvat



**40681**  
Diaphragm – Membrane –  
Membrana – Membran –  
Membrana - Membrane -  
Membrana

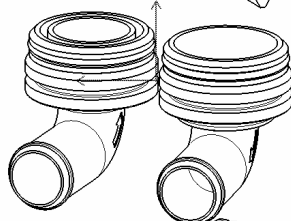
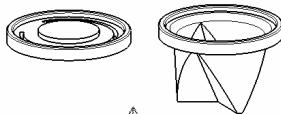


Tank – Cuve – Serbatoio –  
Pumphus – Cuba -  
Pumpengehäuse - Kuip

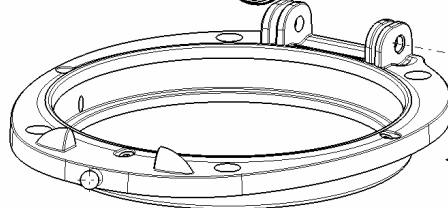
**40678**  
Clips – Clips – Clips –  
Clips – Clips -  
Befestigungsclips -  
Beugels



**40676 & 40677**  
Valves – Clapets – Valvole -  
In-och utloppsventil – Válvulas –  
Einlauf- Ablaufventile - Kleppen



**PUMP 925 : 40679**  
**PUMP 1038 : 40680**  
Outlets – Embouts – Raccordi  
a gomito – Slangstosar –  
Terminales -Anschluss-Stutzen  
- uitlaten



Base – Embase – Base –  
Basplatta – Base –  
Befestigungsring - Basis