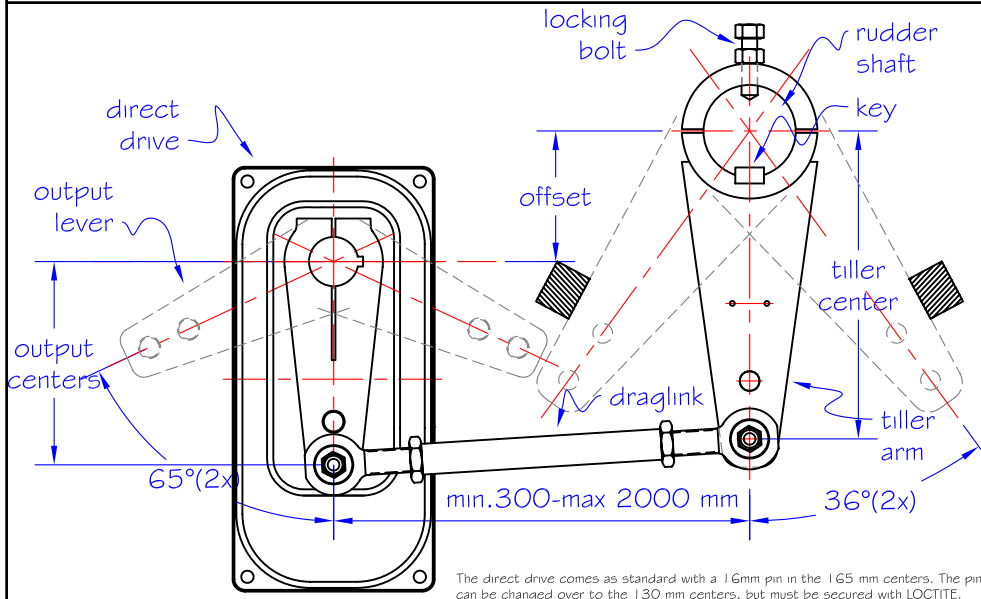


# DIRECT DRIVE SPECIFICATION FORM

Version 1.2



The direct drive comes as standard with a 16mm pin in the 165 mm centers. The pin can be changed over to the 130 mm centers, but must be secured with LOCTITE.

Direct drive type I operating centres in mm valid for 72° (2x36°) rudder travel.

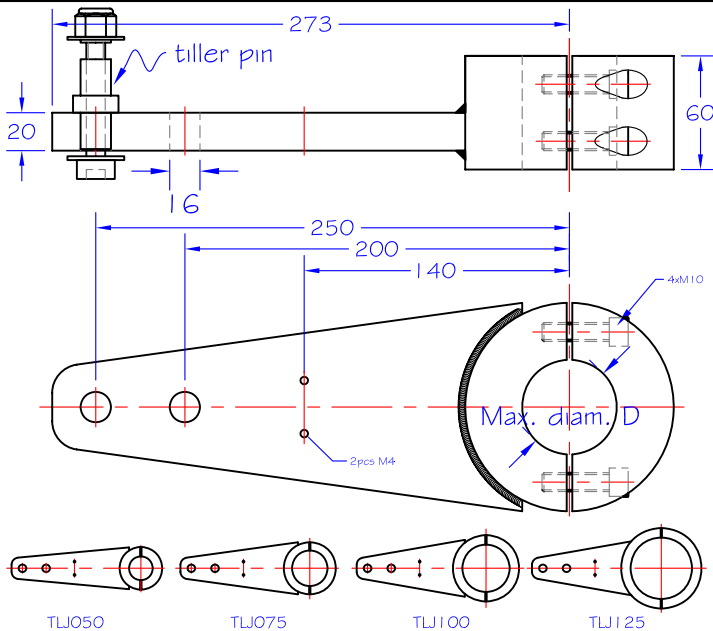
output centers	offset distance	tiller centers
130	106	200
165 (standard)	127	250

specify draglink length (please cross the appropriate box)

200-300mm (DL2030)	
300-400mm (DL3040)	
400-500mm (DL4050)	
500-600mm (DL5060)	

custom length .....mm

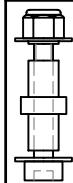
## specification of tiller arm



bore diameter = ..... mm

please select the tiller arm by crossing the correct box

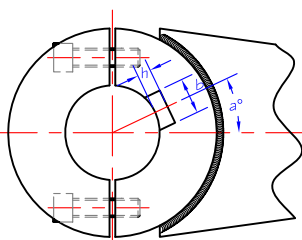
bore diam.	tiller arm	cross box
- 50 mm	TLJ050	
51-75mm	TLJ075	
76-100mm	TLJ100	
101-125mm	TLJ125	



to include a tiller pin please cross below box

include TLJPIN16

## specification of tiller arm locking mechanism



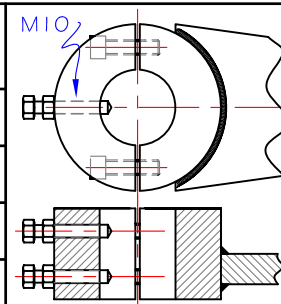
if a key is present, specify dimensions

key width b =

key height h =

key angle a =

no keyway



if no key is present, cross below box for locking bolts

include 2 off M10 locking bolts

## special requirements / comments

.....